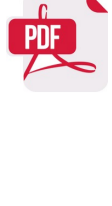


Home > Support System > Tripod Kit

## TOWER150C | 15kg Carbon Fiber Studio Camera Tripod



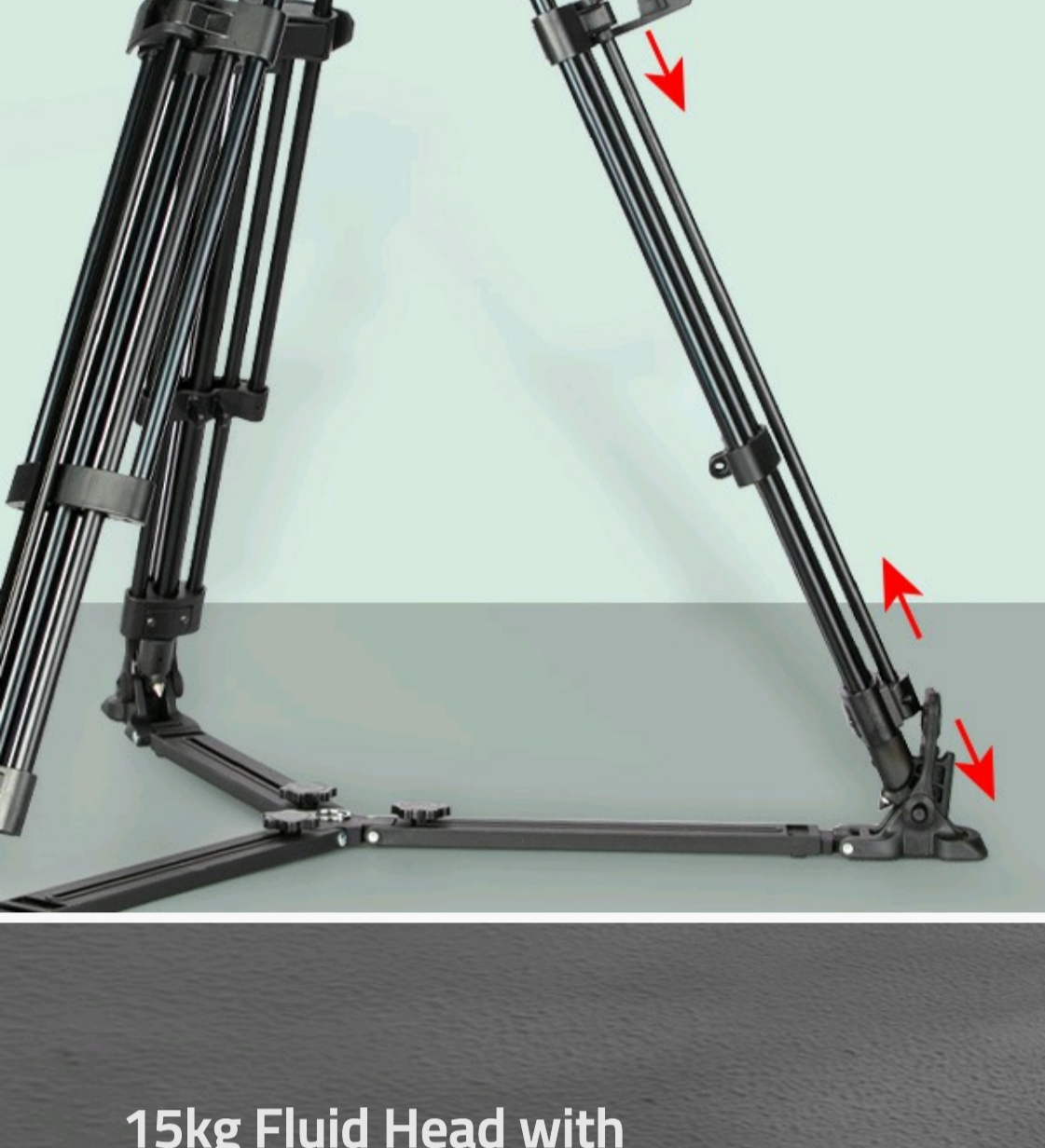
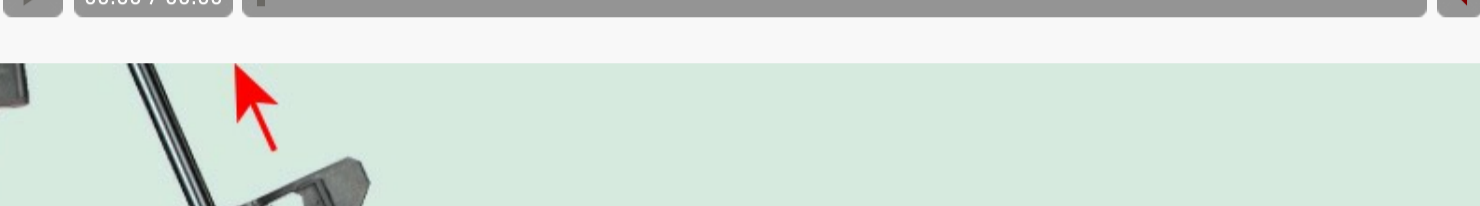
- 8-layer tubular carbon fiber studio tripod
- 3-section leg, 50-170cm adjustment
- One buckle release and lock 3 sections
- 15kg load smooth motion fluid head
- Pan and tilt damping adjusting
- 1/4" and 3/8" screws quick release plate
- Luminous bubble level
- 360° pan and -75° ~ +90° tilt motion
- With ground stretcher and horseshoe feet
- Come with carrying bag

MSRP Ex TAX / Shipping

Features Specifications Download What's in box Optional accessory Related

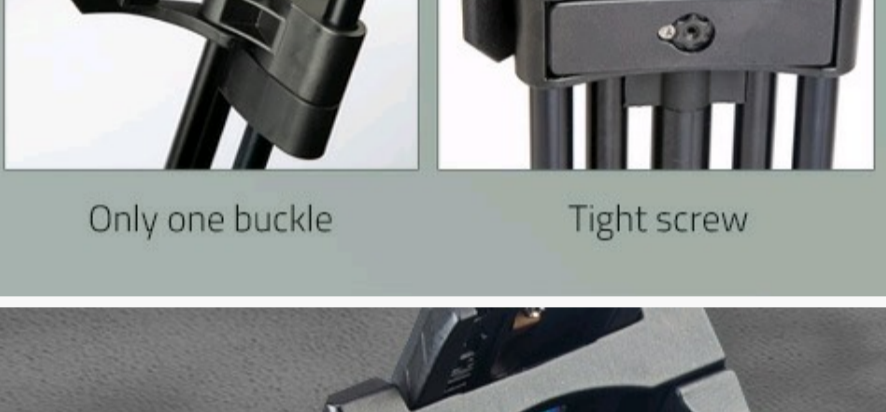
### Carbon Fiber Camera Tripod

TOWER150C is a studio application light weight camera tripod with smooth fluid head of 15kg load. The 8-layer high intensity tubular carbon fiber tubes make stronger and stable legs like a tower, and light weight.



### One Buckle Lifting

TOWER150C tripod leg has 3 sections, and with a connection rod, you can release and lock the sections together by only one buckle, for quicker height adjustment.

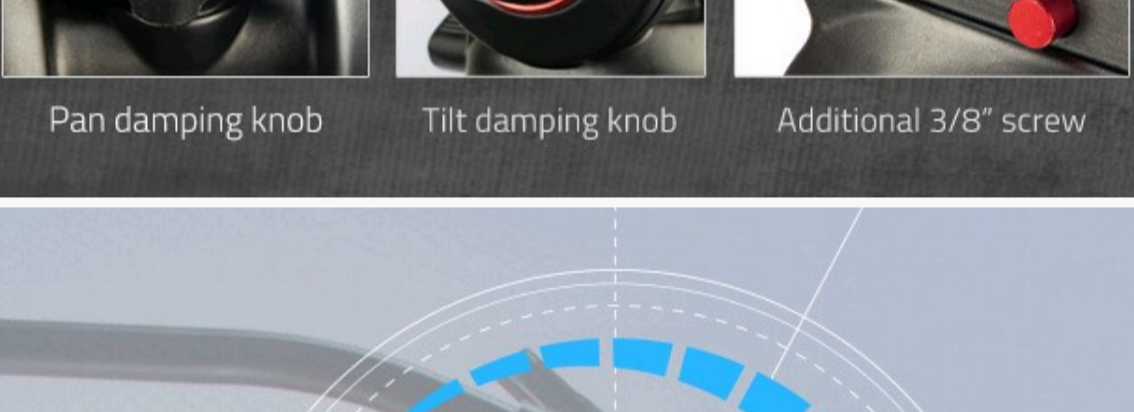


Only one buckle

Tight screw

### 15kg Fluid Head with Damping Adjustment

TOWER150C tripod comes with a 15kg load fluid head with pan damping and tilt damping adjustment. The quick release plate provides 1/4" and 3/8" screw bolts, and the luminous bubble level is clearly visible even at dark environment.



Pan damping knob

Tilt damping knob

Additional 3/8" screw



### Maximum Motion Angle

TOWER150C tripod head supports 360° pan motion and -75° to +90° tilt motion, for variety picture compositions.

### Side Release Plate

The quick release plate is installed and released from the side, and securely fixed by tapered edges on the base plate.

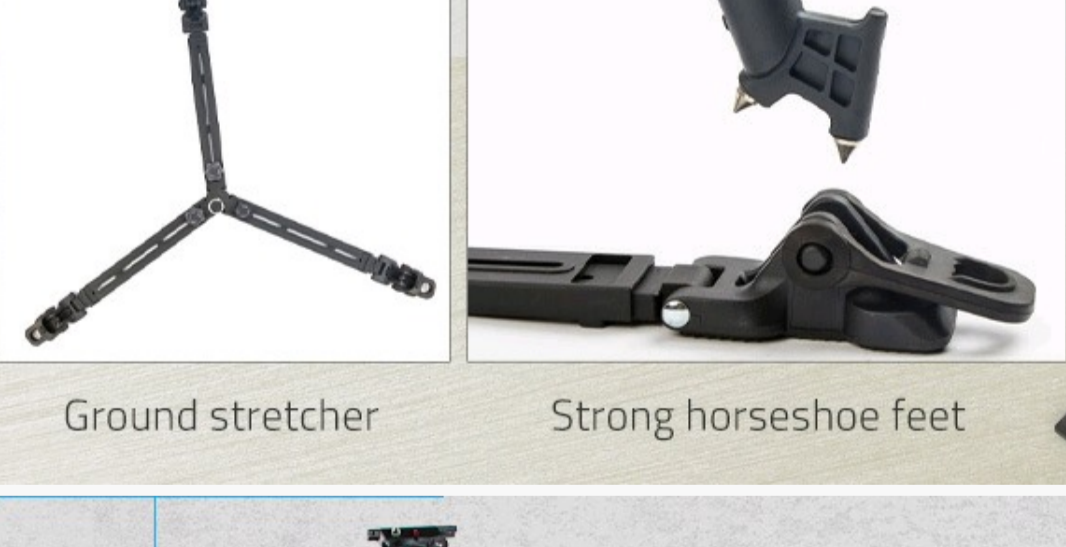


### 75mm Thicker Bowl

The TOWER150C tripod has 75mm thicker bowl to fit the head firmly.

### Ground stretcher

TOWER150C provides a ground stretcher to strengthen the stability, and the horseshoe feet will fit for a wheel base as well.



Ground stretcher

Strong horseshoe feet



### 50 - 170cm Height

TOWER150C has 3-section legs, allows height adjustment from 50cm to 170cm for studio setup.

### Package

TOWER150C package provides the tripod with head, a carrying bag, and packed in a compact size carton box.



### SWIT Electronics Europe GmbH

Heerdterbuschstrasse 10 / HALLE 9,  
41460 Neuss, NRW Germany  
VAT: DE308323924  
WEEE-Reg.-Nr. DE 37399843  
Email: info@swit-europe.com

### Email Newsletter

Please enter Email address below and subscribe our newsletters.

[Privacy Policy](#)

leave a message



# TOWER150C



## Carbon Fiber Studio Tripod

A Carbon Fiber light weight studio camera tripod with smooth fluid head of 15kg load, 3-sections, 50-170cm height.



15kg Load Fluid Head with Damping adjust

TOWER150C tripod comes with a 15kg load fluid head with pan damping and tilt damping adjustment, with 1/4" and 3/8" screw bolts.



Side Release Plate

One Buckle Lifting

The leg sections are linked by a connection rod. You can release and lock the sections together by only one buckle, for quicker height adjustment.



8-Layer Tubular Carbon Fiber

High intensity carbon fiber of 8-layer tubular construction, 15% less weight comparing to aluminium alloy.



50cm Low angle shooting



Ground stretcher

Provides a ground stretcher to strengthen the stability, and the horseshoe feet will fit for a wheel base as well.

Material	Section	Height	Head Model	Bowl $\phi$	Load	Tube $\phi$	Tube Thickness	Weight
Carbon Fiber	3	50cm-170cm	TH150	75mm	15kg	Max 22mm	1.2mm	5.1kg

**SWIT Electronics Europe GmbH**

Heerdterbuschstraße 10 / HALLE 9, 41460 Neuss, NRW Germany  
VAT: DE308323924, WEEE-Reg.-Nr. DE 37399843

+49(0)2131 6632331

<http://www.switeu.com>

Email: [info@swit-europe.com](mailto:info@swit-europe.com)



Facebook Page



Instagram



















