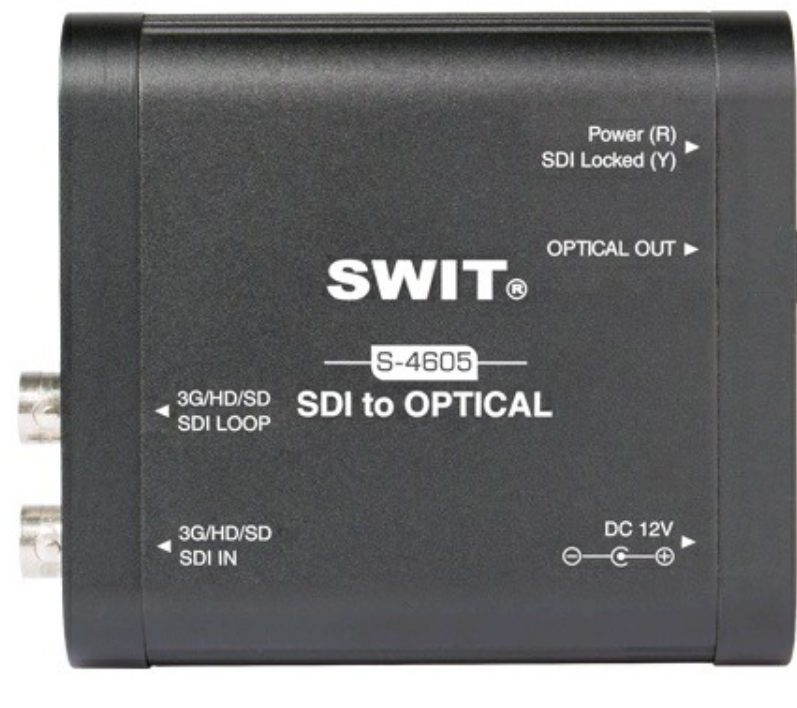


Home > Video Transmitter > Video converter

S-4605 | SDI to Optical Converter



- › Portable 3G/HD/SD-SDI to Optical Fiber Converter
- › 1 SDI input, 1 Fiber output, and 1 SDI loop output
- › Single mode Optical Fiber, LC connector
- › Max 20km reliable transmission
- › Support hot swap of the optical module
- › Power / SDI input status indicator
- › Pole-tap 6-18V DC power input
- › Heavy duty aluminium housing
- › Bottom screw threads for installing



MSRP Ex TAX / Shipping

Features Specifications Download What's in box Optional accessory Related

Portable Mini Converter

SDI to Optical Fiber

S-4605 is a mini converter for SDI to LC single mode Optical Fiber conversion, widely used on transmitting SDI in a long distance.



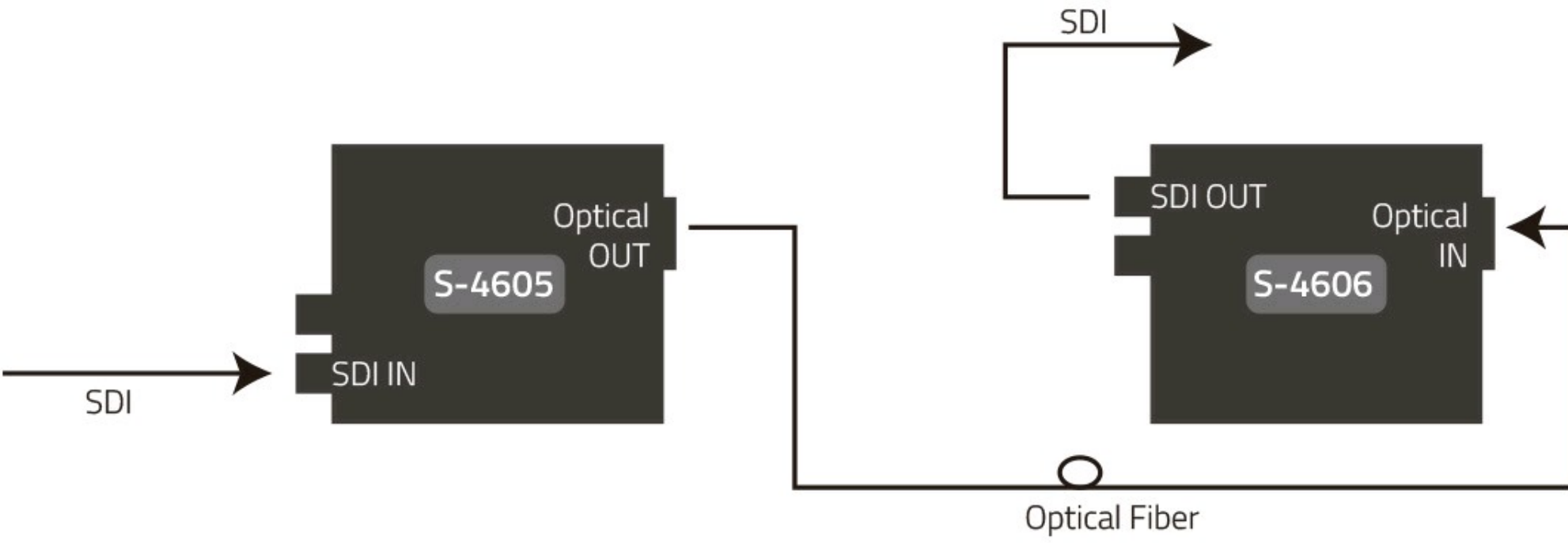
Input and Output

- S-4605 offers:
- 1x 3G/HD/SD-SDI input
 - 1x 3G/HD/SD-SDI loop output (Reclocked)
 - 1x LC Optical Fiber output

Encoder and Decoder

Working together with S-4606

The S-4605 convert SDI to Optical fiber at encoder end, and you can use SWIT S-4606 to convert Optical fiber back to SDI at the decoder end. The reliable transmission distance is up to 20km.



Status Indicators

Power / Input

S-4605 provides 2 LED indicators, to check if the power is connected, and if the input SDI is recognized.

Power Supply

The mini converter is powered by pole-tap DC socket. The package includes an AC-DC power adaptor, and you can also connect DC cable from 6-18V batteries.



Heavy Duty Housing

The S-4605 mini converter adopts unibody aluminium alloy housing, strong for field using and protects the BNC connectors effectively.



Installation

S-4605 provides the bottom 1/4-inch screw threads for fixing on cameras, and an installing plate is supplied in the package, for fixing on wall and binding the BNC cables and optical fibers.



SWIT Electronics Europe GmbH

Heerdterbuschstrasse 10 / HALLE 9,
41460 Neuss, NRW Germany

VAT: DE308323924

WEEE-Reg.-Nr. DE 37399843

Email: info@swit-europe.com

Email Newsletter

Please enter Email address below and subscribe our newsletters.

submit

Privacy Policy

leave a message

S-4605

SDI to Optical Converter

SWIT

Introduction:



Specifications:

Input/Output		
Input	BNC × 1	3G/HD/SD-SDI input
Output	BNC × 1	3G/HD/SD-SDI loop output
	LC × 1	Converted Optical fiber output
Video Format		
SDI	SMPTE-425M	1080p (60 / 59.94 / 50)
	SMPTE-274M	1080p (30 / 29.97 / 25 / 24 / 23.98)
		1080i (60 / 59.94 / 50)
	SMPTE-RP211	1080psf (30 / 29.97 / 25 / 24 / 23.98)
	SMPTE-296M	720p (60 / 59.94 / 50)
	ITU-R BT.656	576i (50)
Optical Fiber	SMPTE-125M	480i (59.94)
	SMPTE 297-2006	1310nm wavelength
General		
Power	≤3W	
Working Voltage	DC 6-18V	
Working Environment	Temperature: 0°C-+70°C, Humidity:10%-90%	
Dimensions	98 × 84 × 29 mm	
Net weight	220g	

Features:

- ◆ Portable 3G/HD/SD-SDI to Optical Fiber Converter
- ◆ 1 SDI input, 1 Fiber output, and 1 SDI loop output
- ◆ Single mode Optical Fiber, LC connector
- ◆ Max 20km reliable transmission
- ◆ Support hot swap of the optical module
- ◆ Power / SDI input status indicator
- ◆ Pole-tap 6-18V DC power input
- ◆ Heavy duty aluminium housing
- ◆ Bottom screw threads for installing

SWIT Electronics Co., Ltd.

Website: www.swit.cc
 Email: contact@swit.cc
 Tel: +86 2585805753
 Fax: +86 2585805296

Distributed by:



Power (R)
SDI Locked (Y)

SWIT[®]
S-4605
SDI to OPTICAL

3G/HD/SD
SDI LOOP

3G/HD/SD
SDI IN

OPTICAL OUT

DC 12V



SDI IN
35 HD/SD

SDI LOOP
35 HD/SD

S-4605
SDI to OPTICAL

SWIT
OPTICAL OUT

Power (P)
SDI Locked (Y)

DC 12V

Green LED
Red LED



Power (R) ▶
SDI Locked (Y) ▶

OPTICAL OUT ▶

SWIT®

S-4605

SDI to OPTICAL

◀ 3G/HD/SD
SDI LOOP

◀ 3G/HD/SD
SDI IN

DC 12V ▶
⊖ — ⊕