

# ET-N80 | NDI EFP Intercom Control Panel



- > LAN connection full duplex intercom with cameramen
- > Work with both EC-N200 and EC-N200-4K adaptors
- > Select intercom channels or ANN announcement mode
- > Headphone and swan neck mic connectors
- > 4-wire to connect 3rd party intercom system
- > Webserver configuration and firmware update
- > 19-inch 1RU rack mount



MSRP Ex TAX / Shipping

[Features](#) [Specifications](#) [Download](#) [What's in box](#) [Optional accessory](#) [Related](#)

## Intercom Control Panel of NDI® EFP System

ET-N80 is the Intercom Control Panel of SWIT NDI® EFP Multi-camera Production System at director's side. The Intercom Control Panel can bind with 8 camera adaptors (both HD and 4K versions) and supports link connection for more channels, and with only 1x RJ45 cable connected into the NDI® network.



### Full Duplex Intercom

The ET-N80 Intercom control panel supports full duplex intercom between director and cameramen. The director can select camera numbers and communicate with each cameraman, and select ANN button to make announcement to everyone.

### Front Control

The ET-N80 provides a 5-pin headset and a swan-neck microphone, to connect into the front panel, and switchable between the headset and microphone. You can select camera channel, adjust volume, turn off the mic, or mute all the channels, directly by the buttons.



### Rear Interfaces

The ET-N80 is connected into NDI® network simply by an RJ45 cable. Set up IP address or rebundle with new camera adaptors by webserver configuration page. The Voice Link port is to serial connect more units, or connect with 3rd party intercom system.

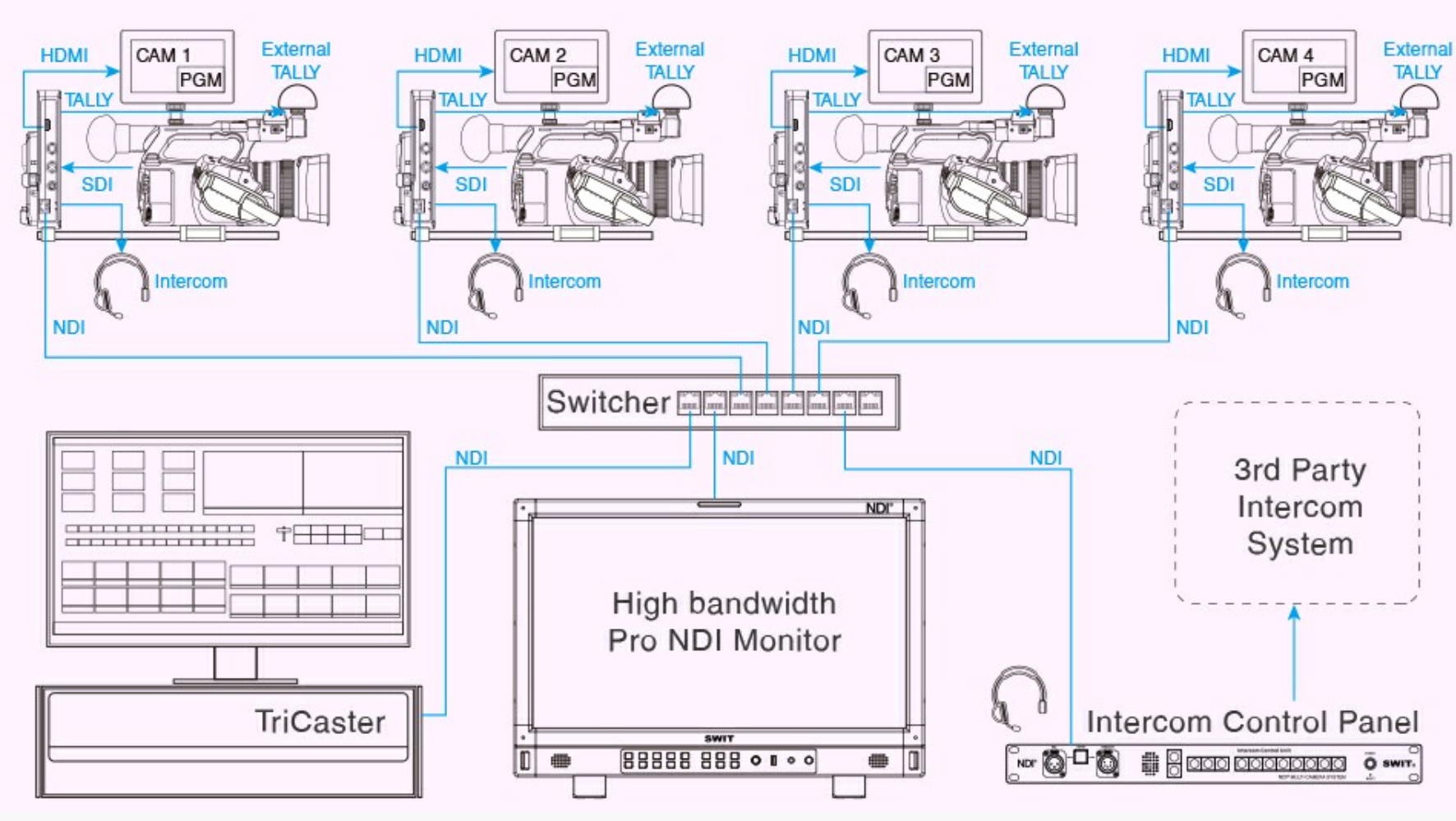


### 4-wire External Intercom System Connect

If you are using other intercom system like Clear-Com, you can connect this intercom control panel to clearcom through the 4-wire port, and press the link button to take over Clear-Com channels.



### System Diagram



#### SWIT Electronics Europe GmbH

Heerdterbuschstrasse 10 / HALLE 9,  
41460 Neuss, NRW Germany  
VAT: DE308323924  
WEEE-Reg.-Nr. DE 37399843  
Email: info@swit-europe.com

#### Email Newsletter

Please enter Email address below and subscribe our newsletters.

[Privacy Policy](#)

[leave a message](#)



# NDI® EFP

## Multi-Camera System



\* NDI® is a registered trademark of Vizrt Group.

Intercom    TALLY    Return Video    4K NDI

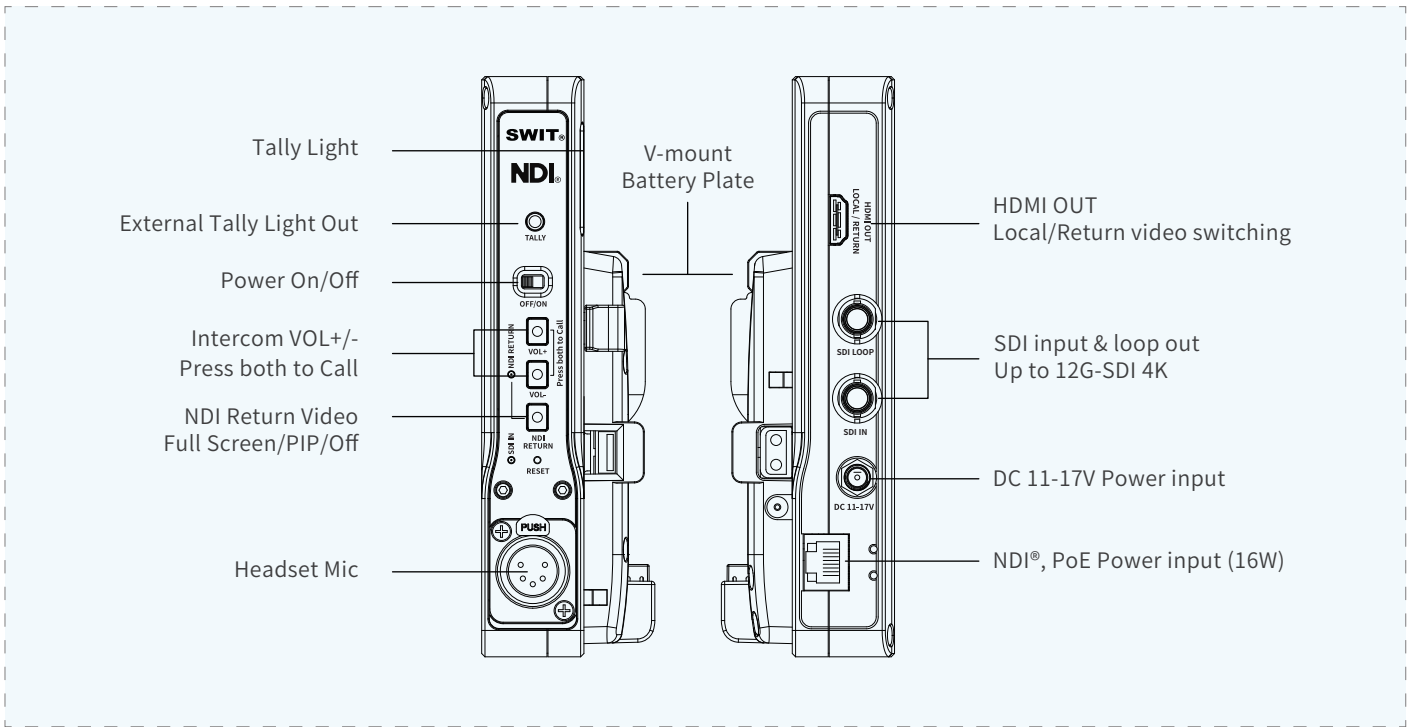
# SWIT®



## EC-N200 / EC-N200-4K

### NDI® Codec Camera Adaptor

- ◆ Encode camera SDI to high bandwidth NDI®
- ◆ EC-N200 supports up to 3G-SDI and HD NDI® (150Mbps)
- ◆ EC-N200-4K supports up to 12G-SDI and 4K NDI® (250Mbps)
- ◆ Decode PGM NDI® source to HDMI output
- ◆ Switch local video and PGM return video in HDMI output
- ◆ Intercom communication with ET-N80 control panel
- ◆ Intercom mute, call, headphone connector
- ◆ Internal TALLY light and support external TALLY output
- ◆ DC 11-17V 1.5A and V-mount battery power input
- ◆ Support 42-57V 0.5A PoE power input
- ◆ 15mm rod rail system to install with any ENG cameras
- ◆ Webserver network configuration and firmware update



## Standard Accessories



15mm rod system to install between camera and tripod



The clamp to install camera adaptor EC-N200-4K onto 15mm rod system



External TALLY light with 3.5mm cable



Headset Mic with 5-pin XLR cable



The clamp to fix RJ45 network cable

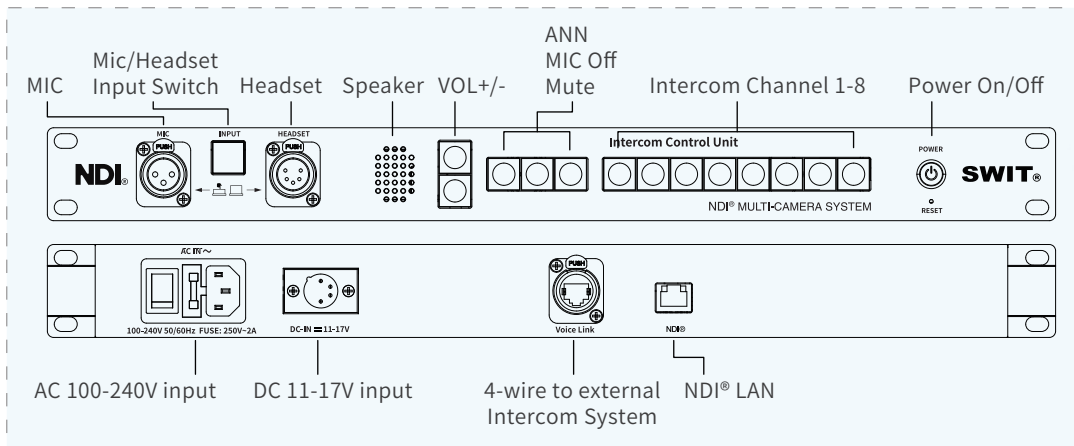


## ET-N80

### NDI® System Intercom Control Panel



- LAN connection full duplex intercom with cameramen
- Bind with both EC-N200 and EC-N200-4K camera adaptors
- Select intercom channels or ANN announcement mode
- Headphone and swan neck mic connectors
- 4-wire to connect 3rd party intercom system
- Webserver network configuration and firmware update
- 19-inch 1RU rack mount



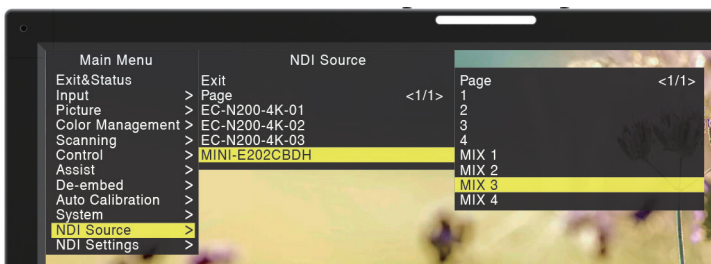
### Standard Accessories



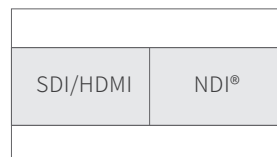
## BM-215-NDI / BM-245-NDI

### 21.5" / 23.8" QLED Panel Professional NDI® Monitor

- 21.5 / 23.8 inches 1920×1080 QLED Panel
- 100% DCI-P3 wide color gamut, VICO 1.97 Eye Protect
- High bandwidth 4K NDI®, 3GSDI and HDMI2.0 input
- NDI® decode to 3GSDI output
- NDI®/SDI/HDMI PBP or PIP view
- Auto detect and quick select NDI® sources
- NDI® Discovery Server, NDI® Low bandwidth mode
- 3DLut Auto Self-calibration without PC
- Waveform / Vector / Histogram / False color / Zebra
- 16-ch audio meters / Lissajous pattern
- IP webserver remote control



Discover and Select NDI® sources in monitor menu

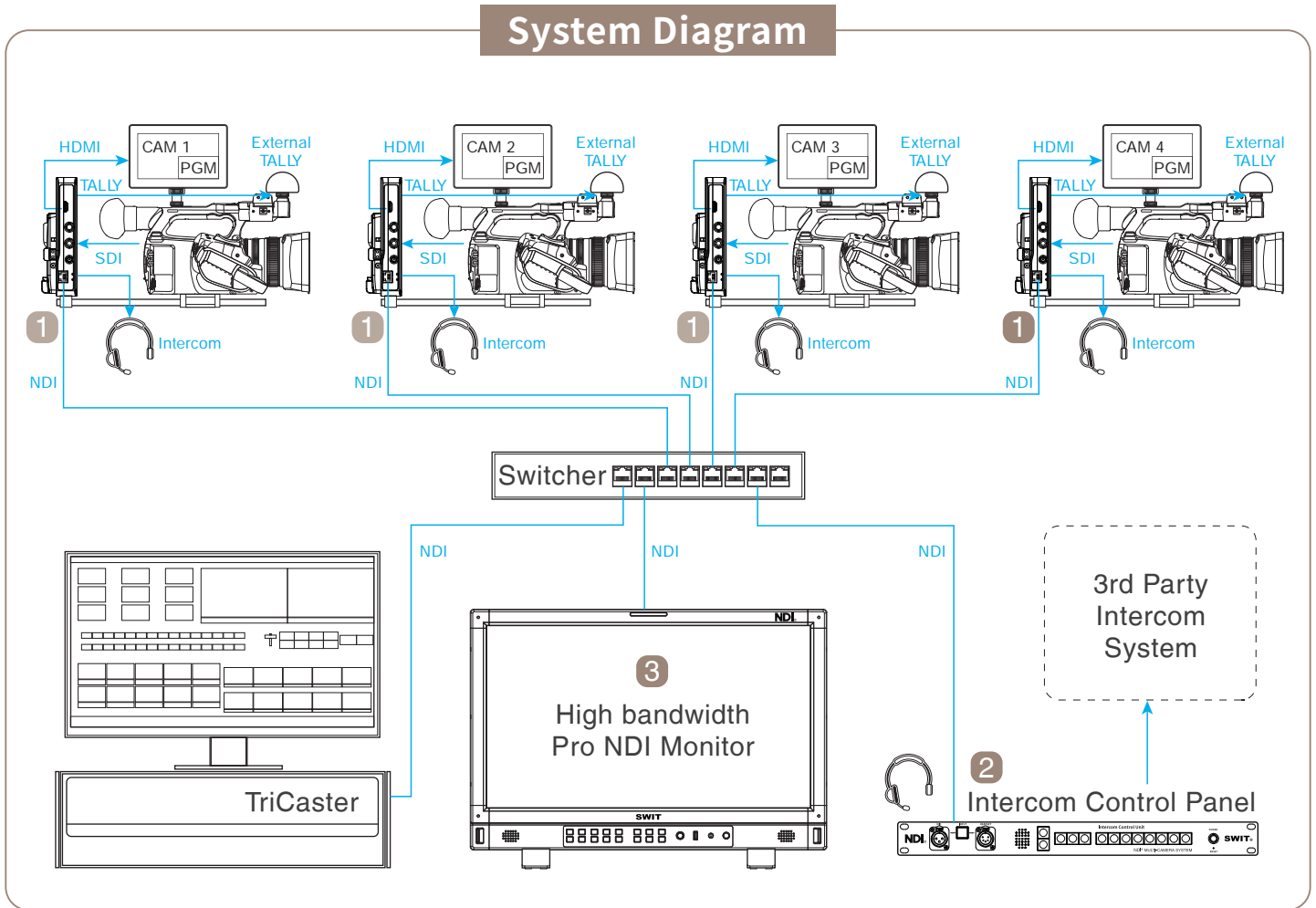


SDI/HDMI and NDI®  
Pic-by-Pic display mode



SDI/HDMI and NDI®  
Pic-in-Pic display mode

# Build a Pure NDI® Based Flexible Multi-Camera Production System

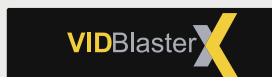


**1** EC-N200/EC-N200-4K  
NDI® Codec Camera Adaptor

**2** ET-N80  
8-ch NDI® Intercom Control Panel

**3** BM-215-NDI / BM-245-NDI  
21.5" / 23.8" Professional NDI® Monitor

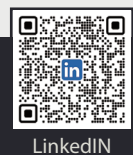
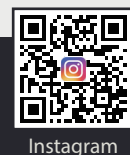
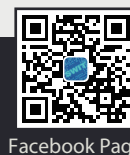
## Compatible NDI® Production Platform

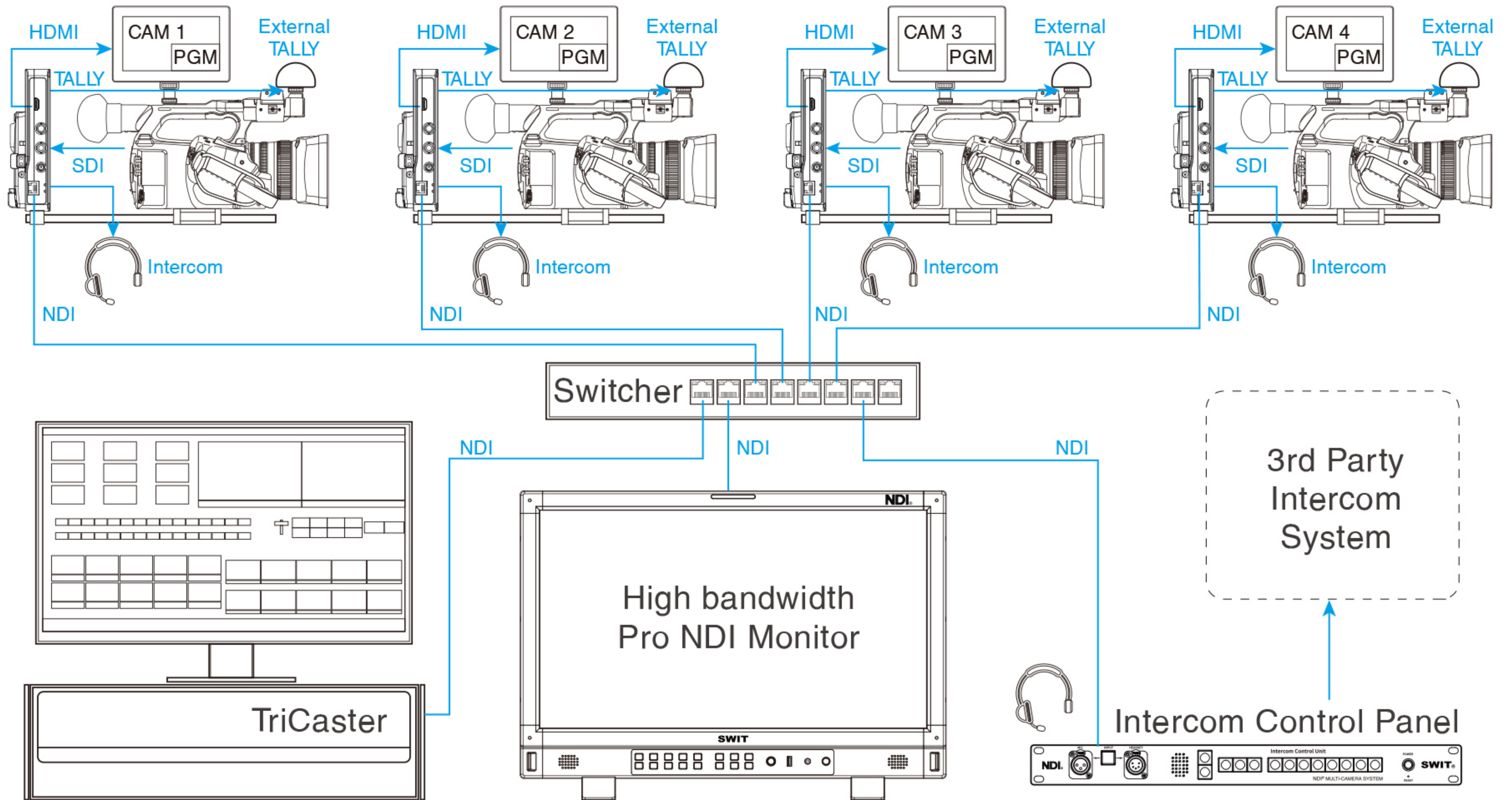


SWIT Electronics Co., Ltd.  
+86-25-85805753  
<http://www.swit.cc>  
Email: [contact@swit.cc](mailto:contact@swit.cc)

SWIT Electronics America, Inc  
1-(408)260-8258  
<http://www.switusa.com>  
Email: [info@swit.us](mailto:info@swit.us)

SWIT Electronics Europe GmbH  
+49(0)2131 6632331  
<http://www.switeu.com>  
Email: [info@swit-europe.com](mailto:info@swit-europe.com)









AC IN ~



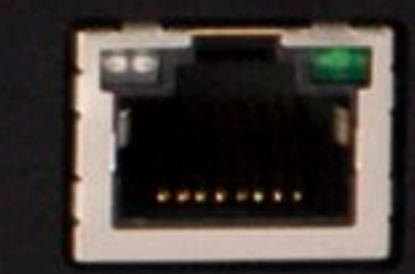
100-240V~50/60Hz FUSE: 250V~2A



DC-IN 11-17V



Voice Link



NDI®

**SWIT®** NDI EFP Intercom Panel  
**ET-N80**  
Input: AC 100V-240V ~ 0.5A (Max)  
DC 12V-17V = 1.5A (Max)  
Power: 16W  
SWIT Electronics Co., Ltd. [www.swit.cc](http://www.swit.cc)  
CE UK CA





NDI®

MIC

Mic Select

HEADSET

Intercom Control Unit

ANN.

MIC OFF

MUTE

1

2

3

4

5

6

7

4-WIRE

NDI® MULTI-CAMERA SYSTEM

POWER

SWIT®

RESET