

EC-N200-4K | 4K NDI Codec Camera Adaptor



- > Encode camera 12G-SDI to high bandwidth NDI®
- > Decode PGM NDI® source to HDMI output
- > Local video and PGM return video switching
- > Intercom with ET-N80 control panel
- > Intercom mute, call, headphone connector
- > On-board TALLY and external TALLY light
- > DC 11-17V 1.5A and V-mount power input
- > Support 42-57V 0.5A PoE power input
- > Provide clamp to fix RJ45 network cable
- > 15mm rod rail system to install ENG cameras
- > Webserver configuration and firmware update



MSRP Ex TAX / Shipping

- Features Specifications Download What's in box Optional accessory Related

NDI® EFP Production System

EC-N200-4K is the camera adaptor of SWIT NDI® EFP Multi-camera Production System. The camera adaptor will encode camera SDI up to 12G to high bandwidth 4K NDI®, and also decode PGM NDI® source to display as return video. The system has on-board and external TALLY light and support full duplex intercom between cameramen and director.



Full Duplex Intercom

The camera adaptor EC-N200-4K supports 5-pin headset connection, and working together with SWIT ET-N80 Intercom control panel, the system supports full duplex intercom between director and cameramen. You can control intercom volume and initiate the call to director on the camera adaptor.

Interfaces

The EC-N200-4K camera adaptor supports up to 12G-SDI input and loop out, high bandwidth 4K NDI® connected to the network, and HDMI monitor output for local video and return video. The camera adaptor provides 5-pin XLR headset connector and 3.5mm jack for external TALLY light, powered by V-mount or Gold mount, or through 5.5mm DC-IN, or powered by PoE.

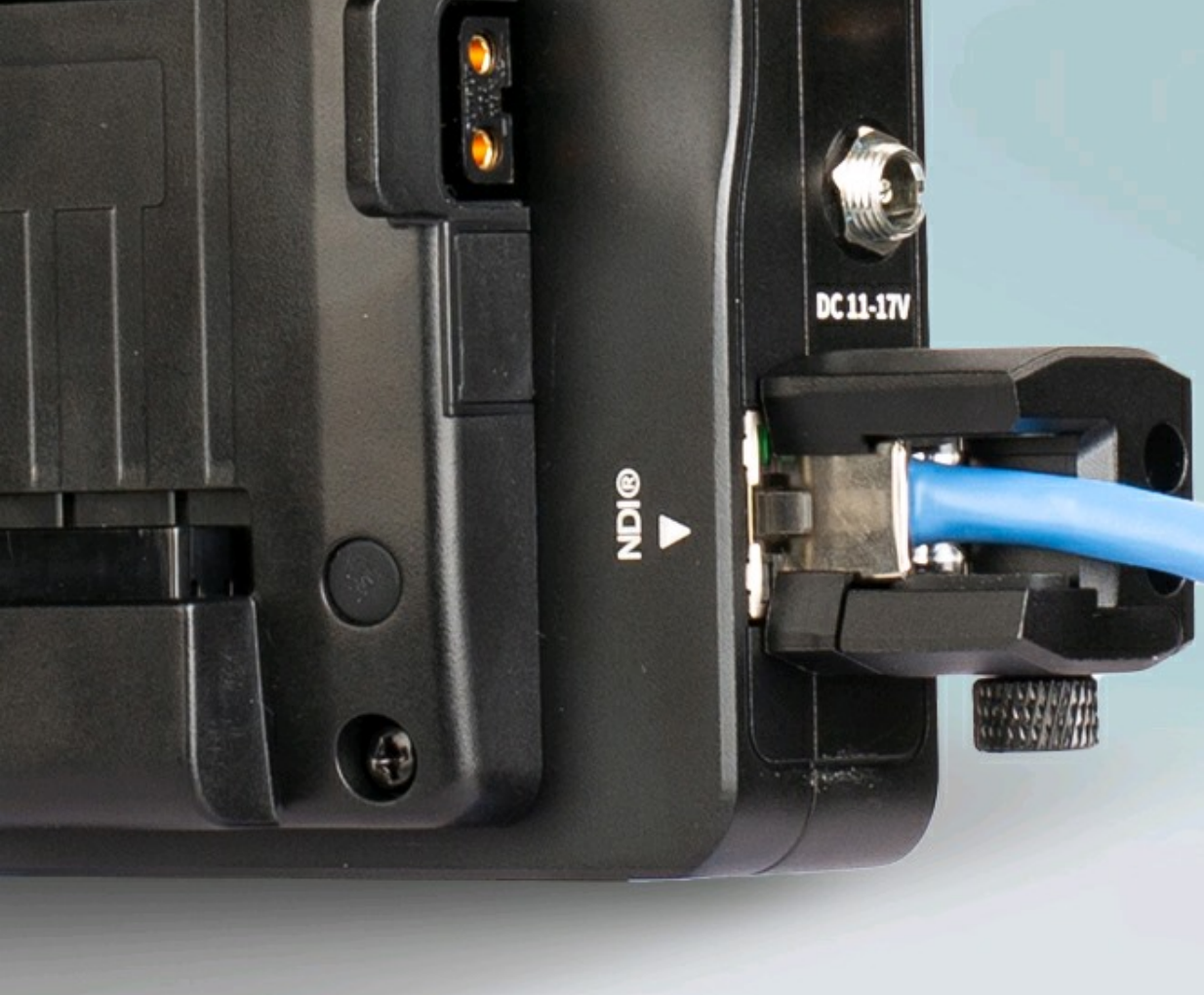


TALLY Lights

There's an on-board bi-color TALLY light to display Red (PGM); Green (PVM). The package also provides an external TALLY light to install on the front of the camera, for the anchor.

Return NDI® Video Switch

The camera adaptor also decode the PGM NDI® source and output through HDMI. You can use any monitors with HDMI to display local video and return video in Pic-in-Pic mode, or full screen return video mode, by press the Return button on the camera adaptor.



RJ45 Cable Clamp

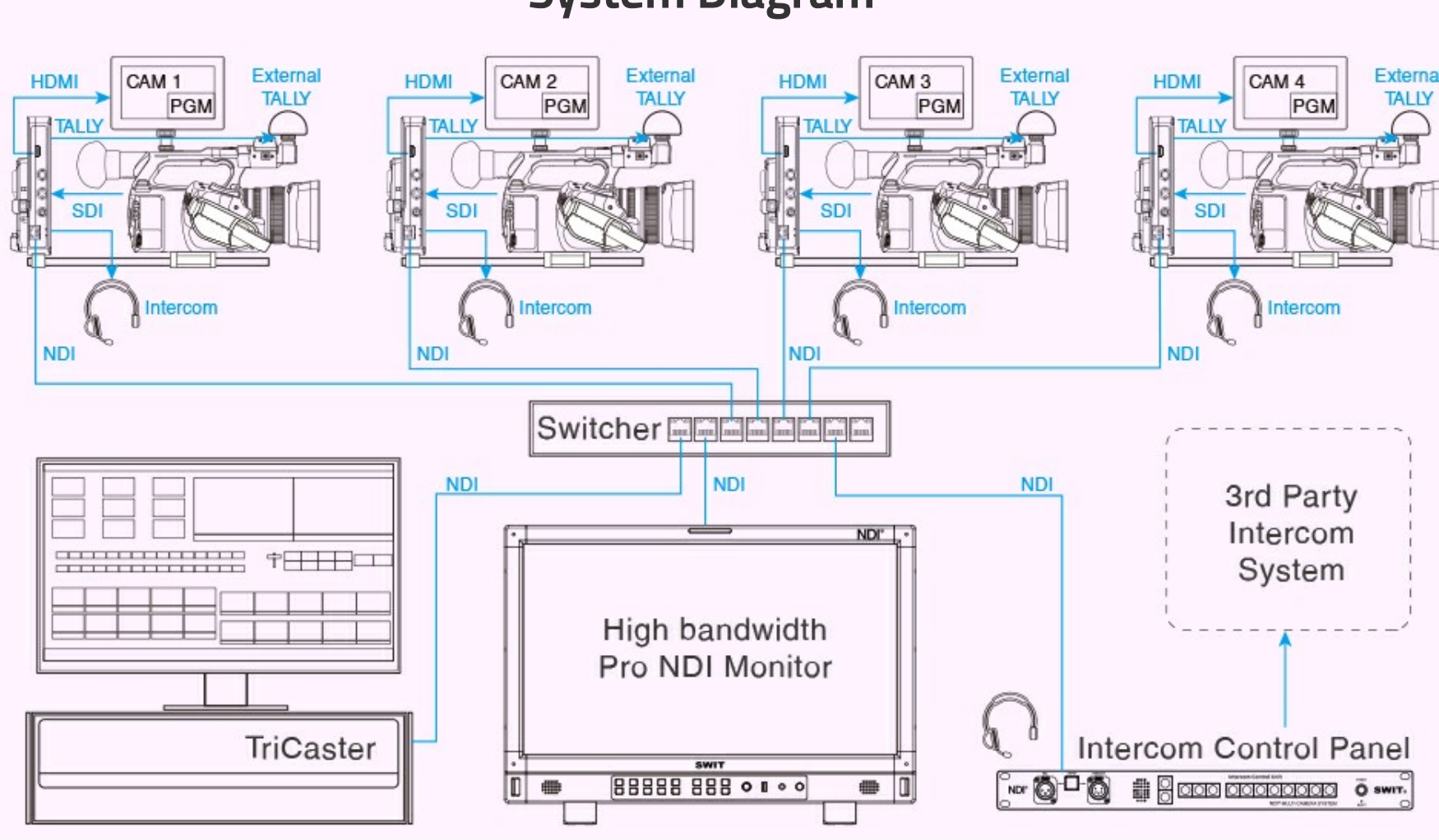
The camera adaptor provides a clamp to fix any standard RJ45 cables, which ensure the reliability of connection during video productions.

15mm Rod System

The EC-N200-4K camera adaptor package provides the 15mm Rod system to install between camera and tripod. The Rod system is universally compatible with all kinds of ENG cameras and video tripods, and easy to install.



System Diagram



SWIT Electronics Europe GmbH

Heerdterbuschstrasse 10 / HALLE 9,
41460 Neuss, NRW Germany
VAT: DE308323924
WEEE-Reg.-Nr. DE 37399843
Email: info@swit-europe.com

Email Newsletter

Please enter Email address below and subscribe our newsletters.

[Privacy Policy](#)

leave a message

NDI® EFP

Multi-Camera System



* NDI® is a registered trademark of Vizrt Group.

Intercom TALLY Return Video 4K NDI

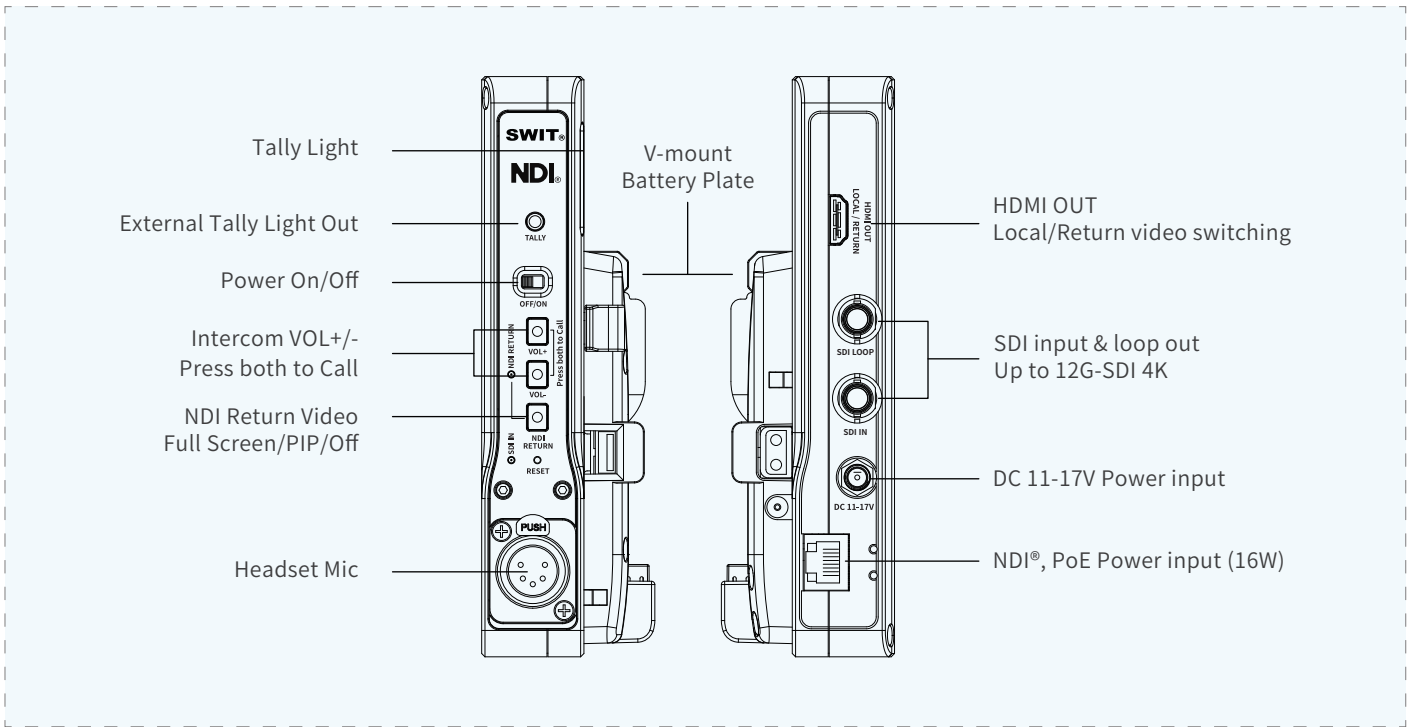
SWIT®



EC-N200 / EC-N200-4K

NDI® Codec Camera Adaptor

- ◆ Encode camera SDI to high bandwidth NDI®
- ◆ EC-N200 supports up to 3G-SDI and HD NDI® (150Mbps)
- ◆ EC-N200-4K supports up to 12G-SDI and 4K NDI® (250Mbps)
- ◆ Decode PGM NDI® source to HDMI output
- ◆ Switch local video and PGM return video in HDMI output
- ◆ Intercom communication with ET-N80 control panel
- ◆ Intercom mute, call, headphone connector
- ◆ Internal TALLY light and support external TALLY output
- ◆ DC 11-17V 1.5A and V-mount battery power input
- ◆ Support 42-57V 0.5A PoE power input
- ◆ 15mm rod rail system to install with any ENG cameras
- ◆ Webserver network configuration and firmware update



Standard Accessories



15mm rod system to install between camera and tripod



The clamp to install camera adaptor EC-N200-4K onto 15mm rod system



External TALLY light with 3.5mm cable



Headset Mic with 5-pin XLR cable



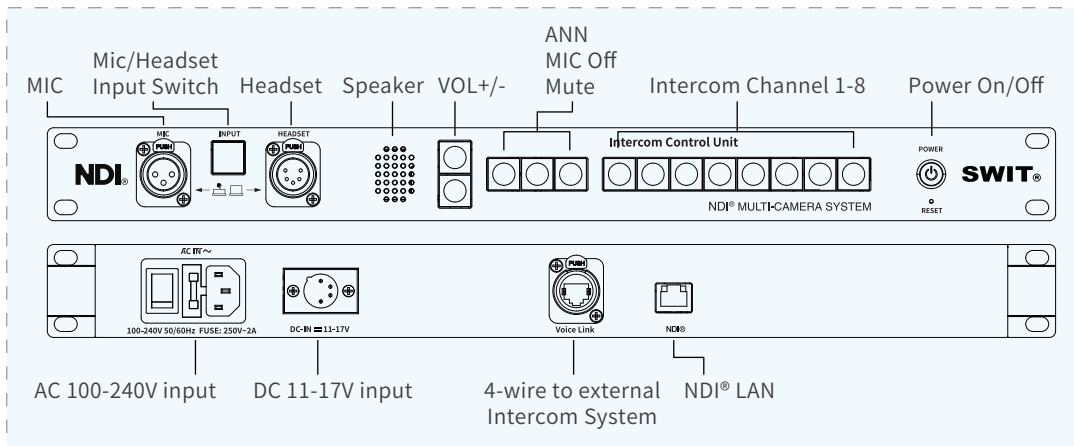
The clamp to fix RJ45 network cable

ET-N80

NDI® System Intercom Control Panel



- LAN connection full duplex intercom with cameramen
- Bind with both EC-N200 and EC-N200-4K camera adaptors
- Select intercom channels or ANN announcement mode
- Headphone and swan neck mic connectors
- 4-wire to connect 3rd party intercom system
- Webserver network configuration and firmware update
- 19-inch 1RU rack mount



Standard Accessories

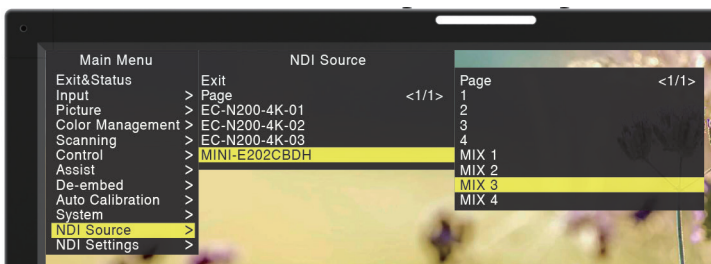


BM-215-NDI / BM-245-NDI

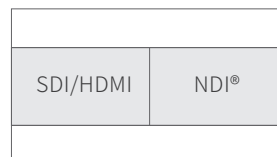
21.5" / 23.8" QLED Panel

Professional NDI® Monitor

- 21.5 / 23.8 inches 1920×1080 QLED Panel
- 100% DCI-P3 wide color gamut, VICO 1.97 Eye Protect
- High bandwidth 4K NDI®, 3GSDI and HDMI2.0 input
- NDI® decode to 3GSDI output
- NDI®/SDI/HDMI PBP or PIP view
- Auto detect and quick select NDI® sources
- NDI® Discovery Server, NDI® Low bandwidth mode
- 3DLut Auto Self-calibration without PC
- Waveform / Vector / Histogram / False color / Zebra
- 16-ch audio meters / Lissajous pattern
- IP webserver remote control



Discover and Select NDI® sources in monitor menu

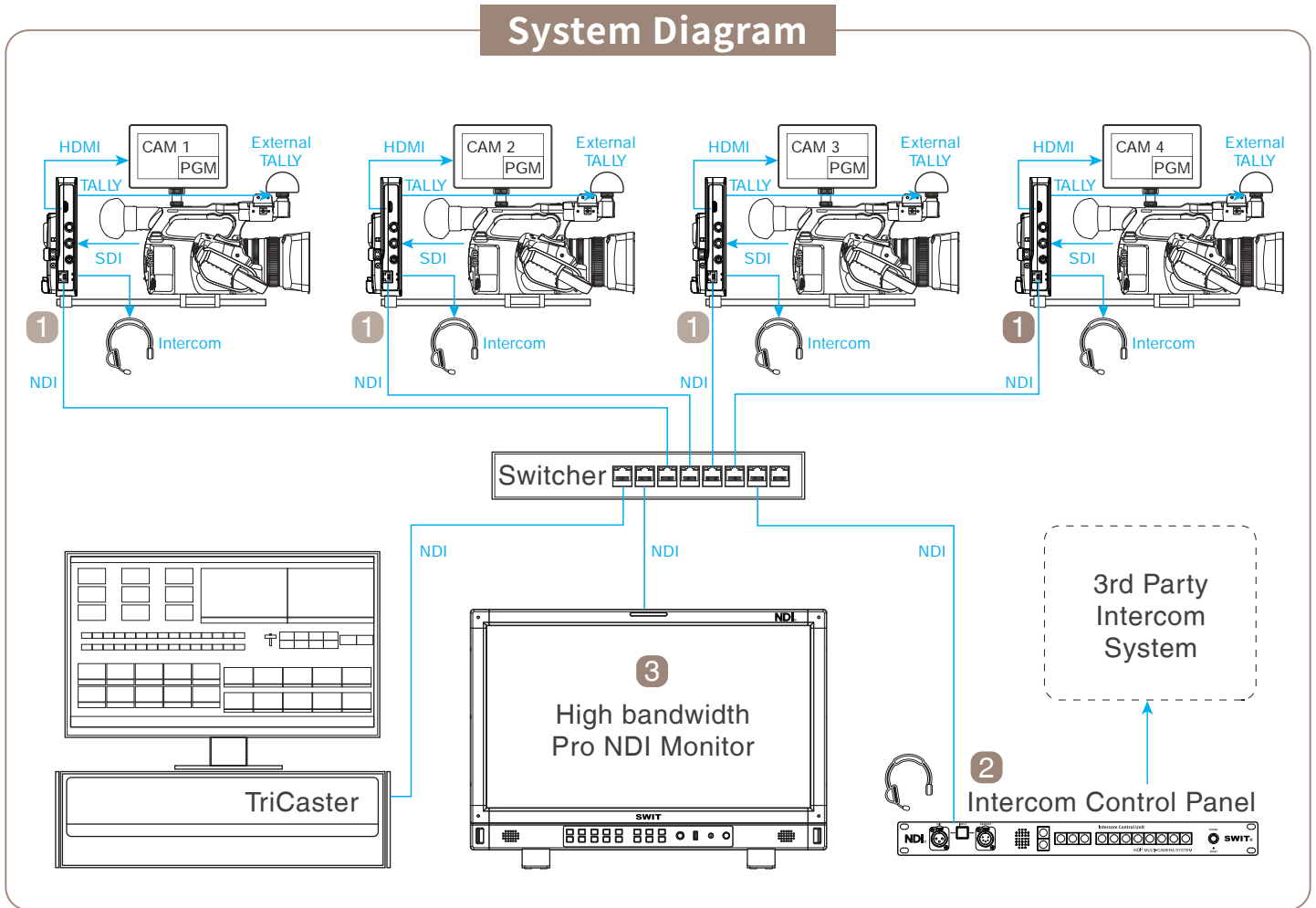


SDI/HDMI and NDI®
Pic-by-Pic display mode



SDI/HDMI and NDI®
Pic-in-Pic display mode

Build a Pure NDI® Based Flexible Multi-Camera Production System

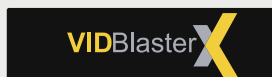


1 EC-N200/EC-N200-4K
NDI® Codec Camera Adaptor

2 ET-N80
8-ch NDI® Intercom Control Panel

3 BM-215-NDI / BM-245-NDI
21.5" / 23.8" Professional NDI® Monitor

Compatible NDI® Production Platform



SWIT Electronics Co., Ltd.
+86-25-85805753
<http://www.swit.cc>
Email: contact@swit.cc

SWIT Electronics America, Inc
1-(408)260-8258
<http://www.switusa.com>
Email: info@swit.us

SWIT Electronics Europe GmbH
+49(0)2131 6632331
<http://www.switeu.com>
Email: info@swit-europe.com



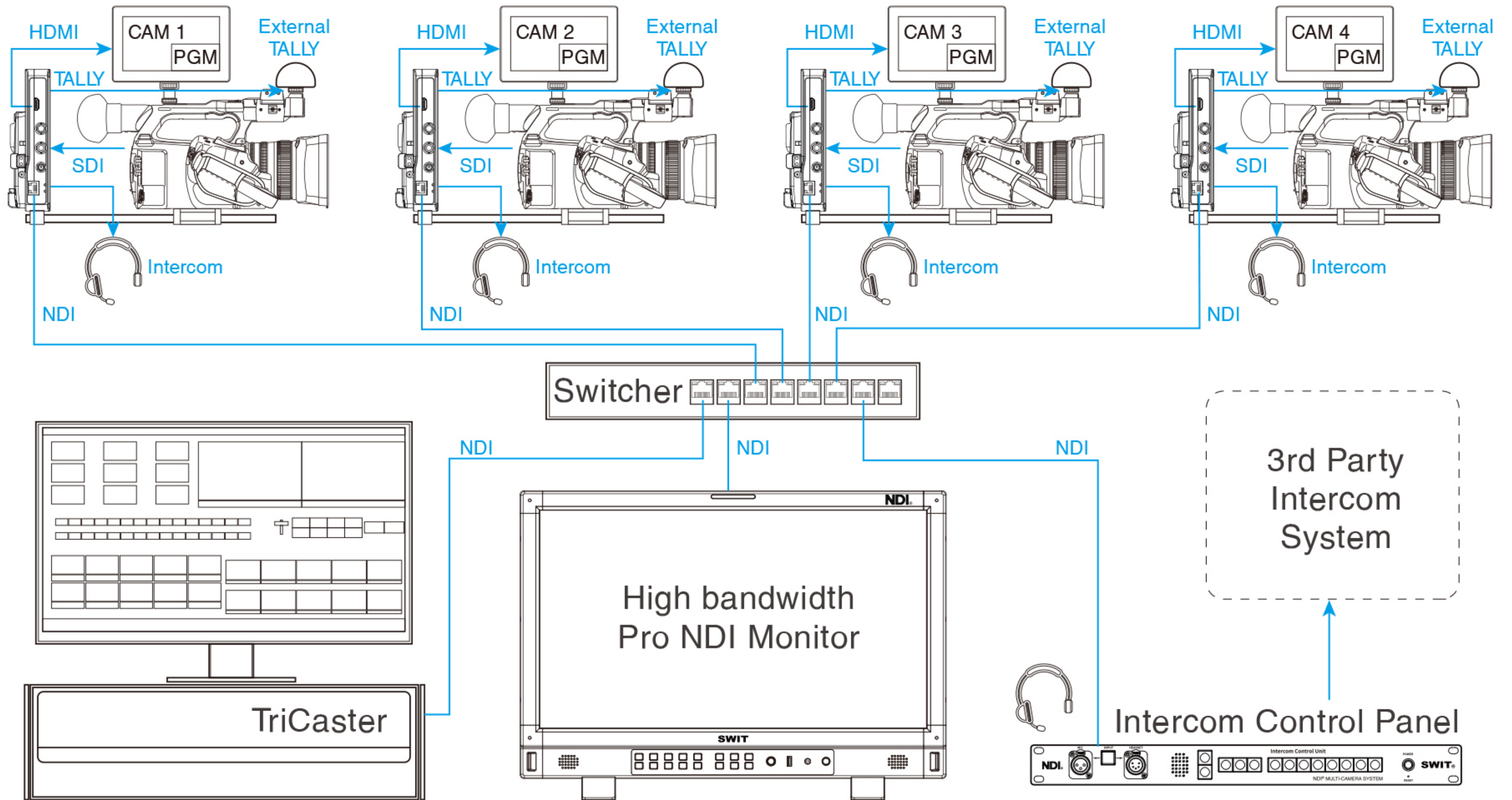
Facebook Page



Instagram



LinkedIn











SWIT

XU-1

SWIT NDI® MULTI-CAMERA SYSTEM

HEADSET

NDI® 4K

