



TOP > en > products > connectors > BNC Dust Caps

All

Categories

- ▶ New Products
- ▶ Fiber Optic Systems
- ▶ Cables
- ▼ Connectors
  - ▶ 75 ohm Connectors
  - ▶ 50 ohm Connectors
  - ▶ Active BNC
  - ▶ Others
- ▶ Panels and Patchbays
- ▶ Cable Assemblies
- ▶ Multichannel Systems
- ▶ Cable Reels
- ▶ Tools
- ▶ Other Transmission Device



BCP-RCAJ"

## BNC Dust Caps

Dust Cap for Canare BNC Receptacles.

### — Key Features and Benefits

- Protects unused BNC receptacles from dirt and dust.

[For inquiries about this products](#)



Tech Data

Downloads

## BNC Dust Caps

Model	Description	Standard Package
BCJ-DC	Polyethylene(Black)	20/100 pcs
BCJ-DC-CH	Polyethylene (Black) with string	20/100 pcs

## Technical Note

### Voltage Standing - wave Ratio (VSWR) and Return Loss

Terminating the receiving end of a limited length coaxial cable using a resistance value not equal to its characteristic impedance creates a reflected wave that returns back down the cable to the sending end. The result is interference developing between the travelling wave and the return wave which results in a standing wave that causes voltage levels to fluctuate. The degree to which terminating resistance matches the characteristic impedance is indicated using the VSWR or voltage standing-wave ratio standard shown in Fig. 1. Going hand in hand with the VSWR ratio is the return loss factor which measures the size of the reflected wave current in relation to the travelling wave current. (See Fig. 2)

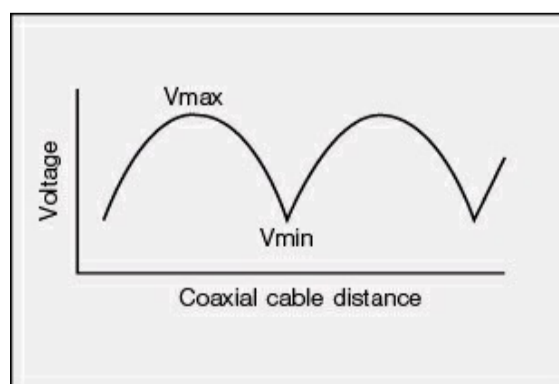


Fig. 1 Voltage Distribution Over Coaxial Cable

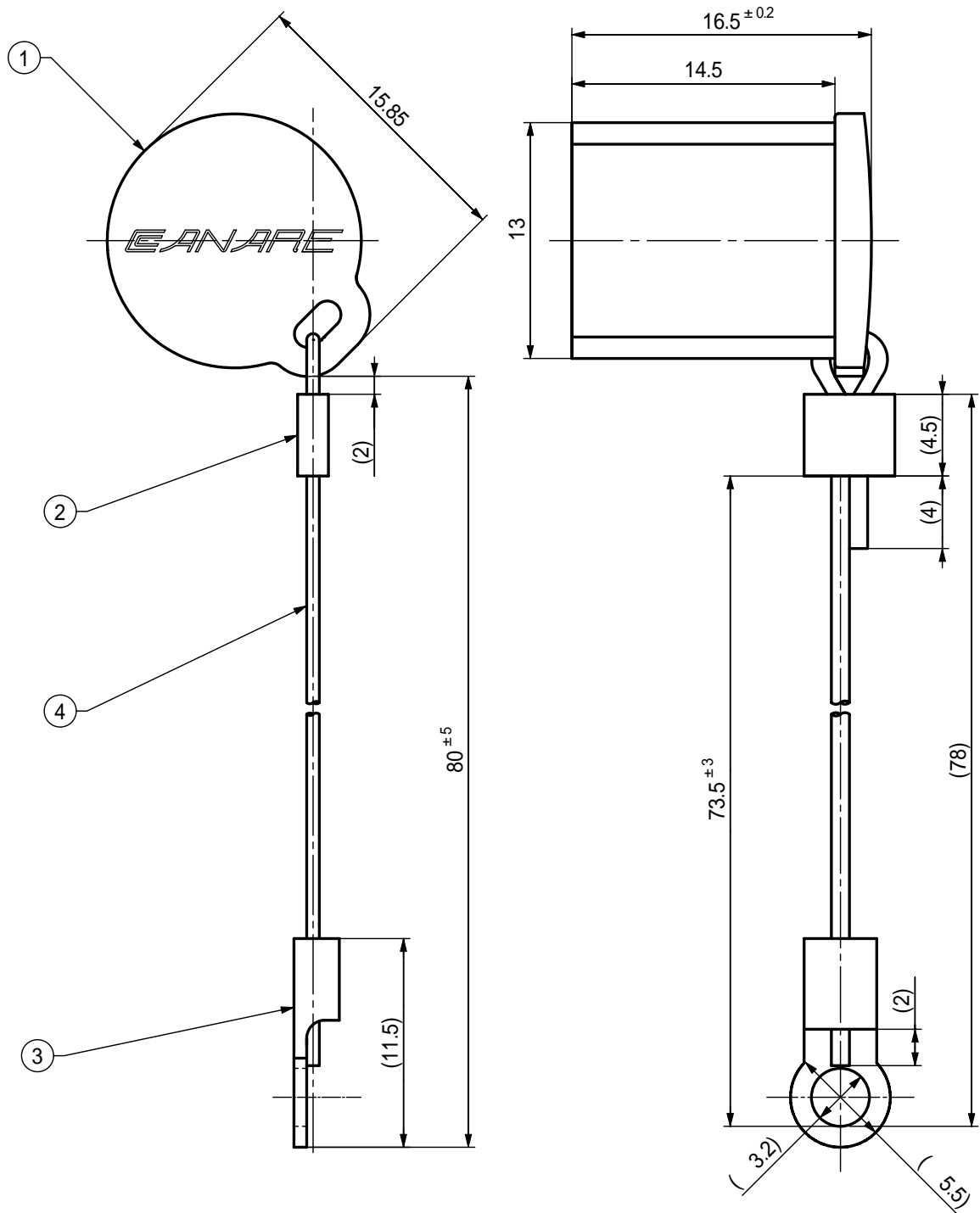
VSWR	Return Loss (dB)
2	9.54
1.5	13.98
1.2	20.83
1.1	26.44
1.05	32.26
1.02	40.09
1.01	46.06

Fig. 2 VSWR to Return Loss Conversion Table

Product specifications and appearance described are subject to change without notice for improvement.

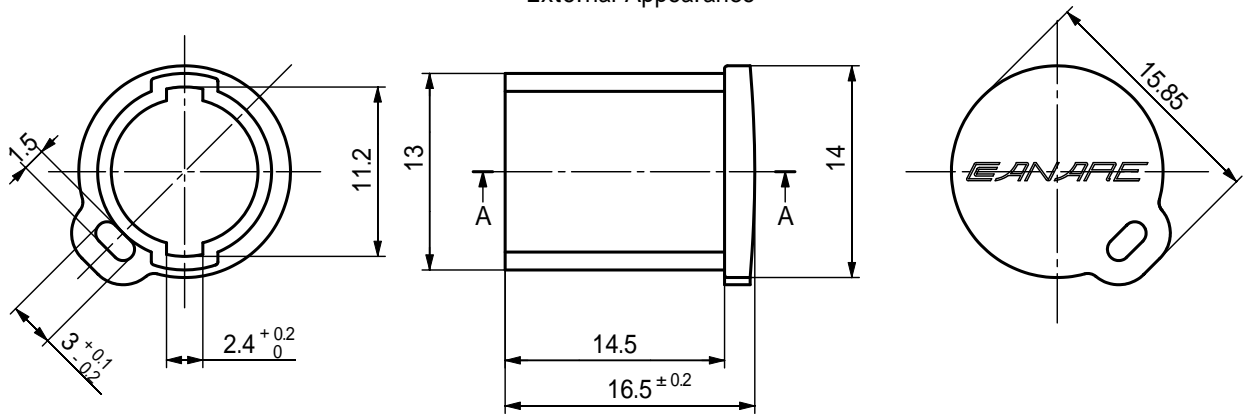


External Appearance



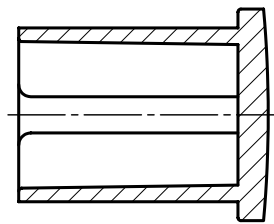
4	Strings	1	-	-	-	-	-	-	
3	Crimp Terminal Lug	1	Brass	-	-	-	Tin Plating	-	
2	Clasp	1	Aluminum	-	-	-	-	-	
1	Dust Cup(BCJ-DC)	1	Polyethene (Black)	-	-	-	-	-	
No.	Name of Parts	Pc(s).	Material				Finish		
Title	Dust Cup with string	PJTN	Unit	Sc.	Tol.	Date	Ver. 1.0	Model	No.
			mm	2 2:1	± 0.1	1996-11-19		BCJ-DC-CH	TL054

External Appearance



Construction

A-A



Material Polyethene(Black)

Title	Dust Cap for BNC Receptacle	PJTN	Unit	Sc.	Tol.	Date	Ver. 1.1	Model	No.
			mm	2:1	$\pm 0.1$	1994-06-12		BCJ-DC	BL077