

Products

- ▶ SMPTE Fiber Products
- ▶ 12G-SDI Products
- ▶ Cables
- ▶ Connectors
- ▶ Video Patchbays and Panels
- ▶ EO/OE Systems
- ▶ Cable Assemblies
- ▶ Cable Reels
- ▶ Tools

- Distributor Listing
- Catalog
- Tech Notes
- FAQ

▶ Custom A/V Connector Panels (AS Series)

Product Name

Custom A/V Connector Panels

Model Number

AS Series

Individual Panels



Product Image

Number of Holes and Rows

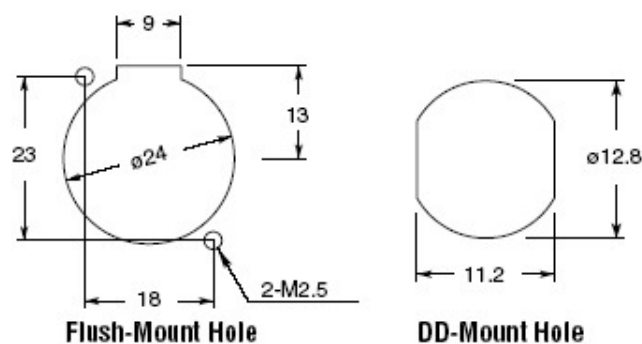
- 1U : 1RU, 16 holes, 1row.
- 2U : 2RU, 32 holes, 2 rows.
- 3U : 3RU, 48 holes, 3 rows.

Hole Type

- Blank : ITT XLR-F77 Type.
- D : Neutrik D Type.

Panel Type

- AS1 : Flat Panel.
- AS3 : Flat Panel W/Cable Tie Bar.
- AS5 : Variable Panel W/Cable Tie Bar - Short Depth.
- AS7 : Variable Panel W/Cable Tie Bar - Long Depth.



Panel Type	AS1 (D)	AS3 (D)	AS5 (D)	AS7 (D)
Description	Flat Panel	Flat Panel W/Cable Tie Bar	Variable Panel With Cable Tie Bar Short Type	Variable Panel With Cable Tie Bar Long Type
1RU 16 holes X 1 row	1U-AS1 (D) 	1U-AS3 (D) 	1U-AS5 (D) 	1U-AS7 (D)
Depth (mm)	-	64.8	100	217
2RU 16 holes X 2 rows	2U-AS1 (D) 	2U-AS3 (D) 	2U-AS5 (D) 	2U-AS7 (D)
Depth (mm)	-	64.8	100	217
3RU 16 holes X 3 rows	3U-AS1 (D) 	3U-AS3 (D) 	3U-AS (D) 	3U-AS7 (D)
Depth (mm)	-	64.8	100	217
A) Rear Panel	N/A	N/A	↳	↳
B) Box Type	N/A	N/A	N/A	↳
C) Recessed	N/A	N/A	↳	↳

- Connectors Canare Recessed BNC, F, RCA and XLR (ITT XLR-F77 or Neutrik D Type) are available.
- Options
 - (A) Rear Panel A connector panel can be mounted on the rear.
 - (B) Box Type A connector panel, top plate and bottom plate can be mounted on the rear.
 - (C) Recessed The panel can be recessed 25mm by changing the screw positions of the mounting brackets and can be recessed either 50mm or 75mm by changing the mounting brackets to M-MA"U02".
- Related Products

Type	Size	Model	Color	Standard Package
Mounting Bracket	1RU	M-MA1U02	Black	2 pieces (left and right)
Mounting Bracket	2RU	M-MA2U02	Black	2 pieces (left and right)
Mounting Bracket	3RU	M-MA3U02	Black	2 pieces (left and right)

(Supplied with mounting screw)

- Note
- Cable tie bars cannot be installed when a rear connector panel is mounted.
 - Depending on their length, some connectors can not be mounted on the panel with cable tie bar installed.