

RTS VLINK BUSINESS CASE

BY NICO LEWIS

RTS VLINK

BUSINESS CASE

VLINK provides matrix access from smartphones, tablets or even connected laptops. With the VLINK app installed it is possible to communicate with other users on the hardware matrix system or stand alone. The smartphone behaves like a portable keypad.

Different use cases are possible for different user groups and levels:

1. VLINK Standalone
2. VLINK basic integration into matrix
3. VLINK intelligent integration into matrix
4. VLINK "cloud solution"
5. VLINK SIP

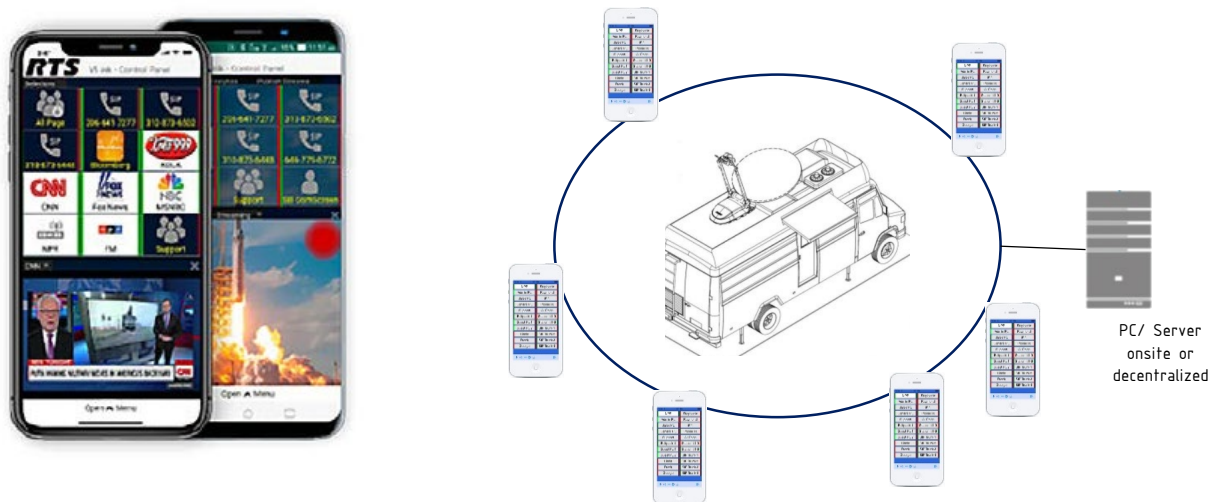
VLINK is an IP-software multi-channel / multi-access communications solution that can intelligently connect to RTS intercoms, creating the optimal fusion of hardware and software capabilities.

VLINK is highly scalable, supports virtually an unlimited number of point-to-points and PLs, boasts DAP integration, SNMP traps.



RTS VLINK

1. BUSINESS CASE: STANDALONE



Application Description:

VLink turns the familiar Apple iPad, iPhone, or Android device into the ultimate wireless intercom system. VLink allows for a virtually unlimited number of users and channels, and with flexible button programmability can meet the most demanding wireless communications requirements. In that application users with smart devices can be connected through download of VLINK without the need for any additional hardware respective matrix or other keypanels.

System requirements: Client

1. Windows, MAC, Android or IOS device

System requirements: Vlink software matrix

- Operating system- Windows 10 Pro x64 or Windows Server 2016 x64
- System Memory – 8 Gb ram
- System Hard Drive 128 Gb SSD - 256 Gb SSD preferred
- Processor cores – A quad core processor will typically run 300 clients under moderate usage. For larger systems refer to the Vlink technical manual for core requirements

User Benefits:

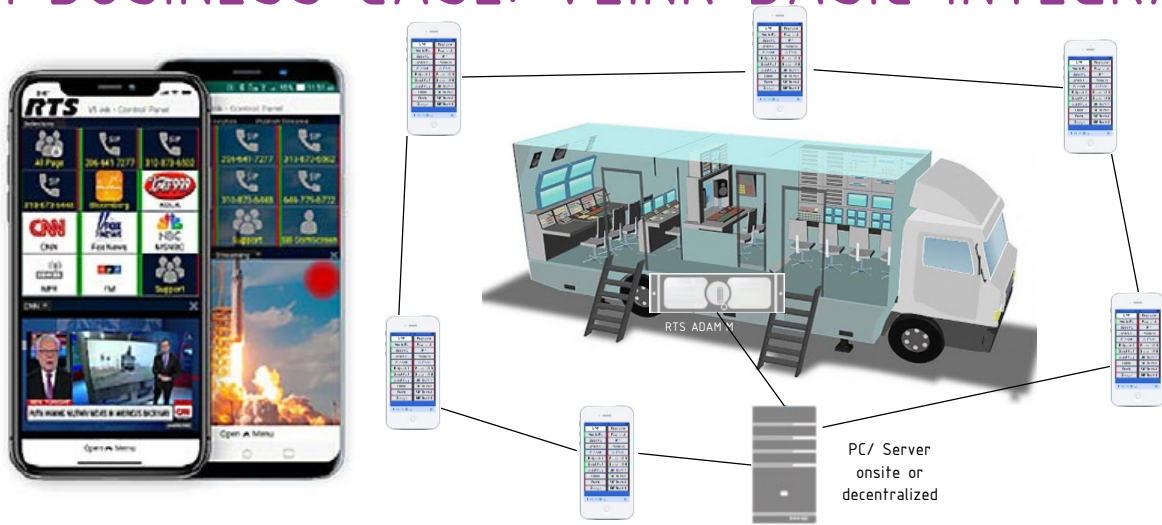
1. Communication without a hardware Matrix – cost effective
2. Point to point or Partyline - flexibility
3. Decentralized communication from anywhere in the world
4. Allow for adding additional capacity via a simple license upgrade - scalability

Use Case Examples/ target group:

1. Remote Broadcast production
2. Temporary Live event communications
3. On-line Gaming Events
4. Corporate communications “conferencing bridges”

RTS VLINK

2. BUSINESS CASE: VLINK BASIC INTEGRATION INTO MATRIX



Application Description:

VLink turns the familiar Apple iPod Touch, iPhone, or Android device into the ultimate wireless intercom system. VLink allows for a virtually unlimited number of users and channels, and with flexible button programmability can meet the most demanding wireless communications requirements. Vlink can be connection to a traditional hardware matrix using simple audio tie lines. This can be achieved using the Vlink Virtual Device Interface (VDI) software, run together with Dante Virtual Sound card (DVS) or Dante PCI card. This allows the creation of simple conference bridges between the Vlink and any OMNEO based matrix channel. Without keypanel data!

System requirements: Client

1. Windows, MAC, Android or IOS device

System requirements : VDI “Virtual Device Interface”

1. Standard laptop with dual core processor
2. Dante Virtual Sound Software installed

System requirements: Vlink software matrix

1. Operating system- Windows 10 Pro x64 or Windows Server 2016 x64
2. System Memory – 8 Gb ram
3. System Hard Drive 128 Gb SSD - 256 Gb SSD preferred
4. Processor cores – A quad core processor will typically run 300 clients under moderate usage. For larger systems refer to the Vlink technical manual for core requirements

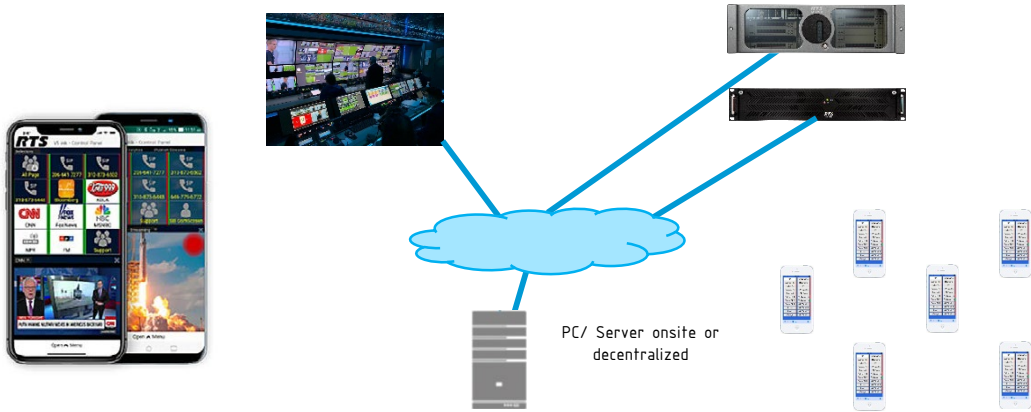
User Benefits:

1. Communication with Matrix – integrated but not intelligent
2. Fixed Point to Point or Partyline - flexibility
3. Decentralized communication from anywhere in the world

Use Case Examples/ target group:

1. Remote Broadcast production
2. Sports Live event communications
3. Corporate AV events

3. BUSINESS CASE: INTELLIGENT INTEGRATION



Application Description:

The VLINK matrix software runs on a stand-alone computer. OMNEO is used to transmit audio between the matrix (an ADAM or ADAM-M or Odin) and the VLINK system. In the example, VLINK is also being used on a laptop. The computer running VLINK has Dante Virtual Soundcard installed, which is what allows the hardware to receive audio from any Dante-compatible device, in this case the OMI-card. Each connected device (two smartphones and a laptop, in this example) requires a valid license on the computer. The computer with the VLINK software behaves as a matrix, which is why the Trunkmaster TM-10k is required.

System requirements: Client

1. Windows, MAC, Android or IOS device

System requirements : VDI “Virtual Device Interface”

1. Standard laptop with dual core processor
2. Dante Virtual Sound Software installed

System requirements: Software Matrix

1. Operating system- Windows 10 Pro x64 or Windows Server 2016 x64
2. System Memory – 8 Gb ram
3. System Hard Drive 128 Gb SSD - 256 Gb SSD preferred
4. Processor cores – A quad core processor will typically run 300 clients under moderate usage. For larger systems refer to the Vlink technical manual for core requirements

Additional Hardware Requirements

1. TM-10K Trunk Master

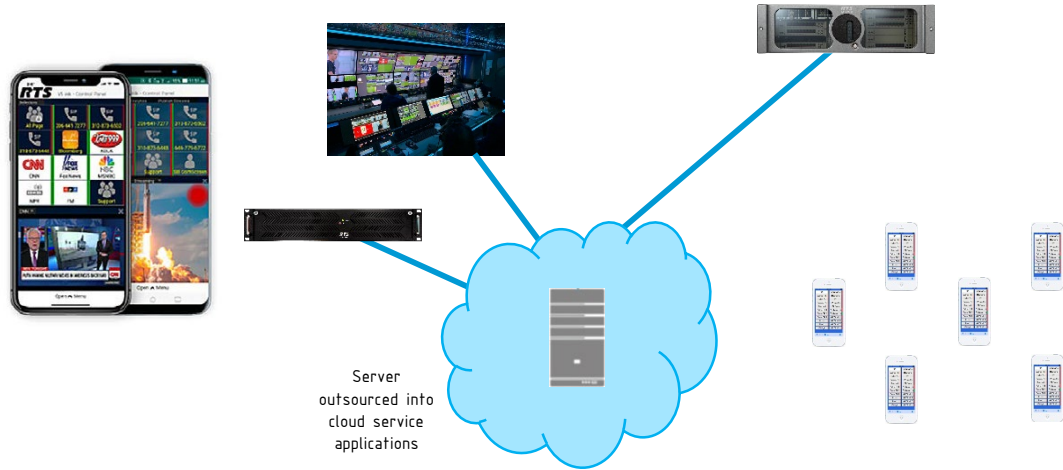
User Benefits:

1. Fully integrated communication with hardware Matrix
2. Fixed Point to Point, Partyline, IFB, - flexibility
3. Decentralized communication from anywhere in the world

Use Case Examples/ target group:

1. Remote Broadcast production
2. Live sporting event communications
3. Aerospace communications
4. Industrial application “power utilities”

4. BUSINESS CASE: INTELLIGENT CLOUD INTEGRATION



Application Description:

The VLINK matrix software can run in cloud services like AWS (Amazon WEB Services). OMNEO is used to transmit audio between the matrix (an ADAM, ADAM-M or Odin) and the VLINK system. In the example, VLINK's "VDI" is being used on a laptop. The computer running VLINK "VDI" has Dante Virtual Soundcard installed, which is what allows the cloud matrix to receive audio from any Dante-compatible device, in this case the OMI-card. Multiple sessions of "VDI" can be run at the same time for additional audio lines. This example is fully integrated to share resources between the cloud matrix and the hardware matrix, which is why the Trunkmaster TM-10K is required.

System requirements: Client

1. Windows, MAC, Android or IOS device

System requirements : VDI "Virtual Device Interface"

1. Standard laptop with dual core processor

System requirements: Software Matrix

1. Operating system- Windows 10 Pro x64 or Windows Server 2016 x64
2. System Memory – 8 Gb ram
3. System Hard Drive 128 Gb SSD - 256 Gb SSD preferred
4. Processor cores – A quad core processor will typically run 300 clients under moderate usage. For larger systems refer to the Vlink technical manual for core requirements
5. Dante Virtual Sound Software "virtual machine version"

Additional Hardware Requirements

1. TM-10K Trunk Master

User Benefits:

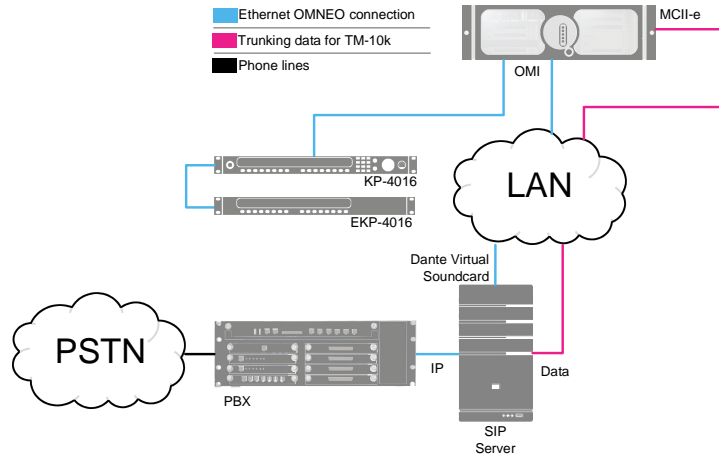
1. Fully integrated communication with hardware Matrix
2. Fixed Point to Point, Partyline, IFB, - flexibility
3. Decentralized communication from anywhere in the world
4. Matrix is virtualized so no hardware to maintain on site.
5. Easy creation of redundant servers instances

Use Case Examples/ target group:

1. Remote Broadcast production
2. Live sporting event communications
3. Aerospace communications"

RTS VLINK

5. BUSINESS CASE: VLINK SIP



Application Description:

Vlink has the ability to be configured as a SIP interface to multiple SIP systems available on the market. It operates in the same manner as the traditional RTS TIF-2000/4000 pots interfaces. Vlink SIP provides the user the ability to dial or receive phone calls into a RTS hardware matrix. The Vlink SIP solution connects directly to the Master controller of an RTS system and does not require a trunk master to operate. It supports up to 8 separate SIP servers. The audio to the RTS hardware matrix is connected using either the OMI card or direct to ODIN matrix with Dante Virtual Sound card (DVS) or Dante PCI card. Each SIP line requires an assignable port in the RTS hardware matrix.

System requirements: Vlink SIP

1. Operating system- Windows 10 Pro x64 or Windows Server 2016 x64
2. System Memory – 8 Gb ram
3. System Hard Drive 128 Gb SSD - 256 Gb SSD preferred
4. Processor cores – A quad core processor will typically run 300 clients under moderate usage. For larger systems refer to the Vlink technical manual for core requirements
5. Dante Virtual Sound Card (DVS) installed

User Benefits:

1. Use the latest telephony technology – POTS is going away!
2. Fully integrated phone support send and receive
3. Support for up to 8 separate SIP servers

Use Case Examples/ target group:

1. Remote Broadcast production
2. Sports Live event communications
3. Corporate AV events

RTS VLINK

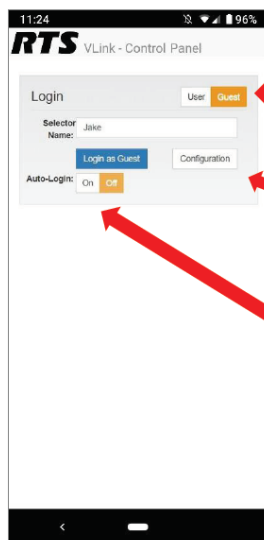
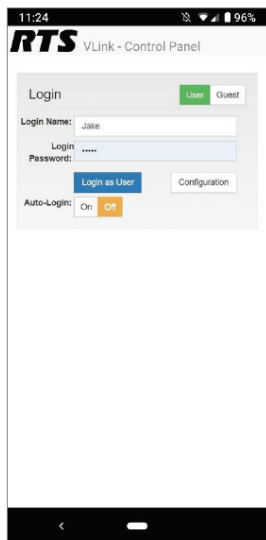
RTS PART NUMBERS AND PRICING

F.01U.216.945	VLINK-8	VLINK 8 Port virtual Intercom matrix Software license to support up to 8 virtual VLINK keypanels on PC, or smart devices. System support SIP VOIP telephony and RTS trunking. Any PC, smart devices and Trunkmaster is not included. All required software can be download free of charge from the RTS website.	6.980,10 €
F.01U.264.751	VLINK-2	VLINK 2 Port virtual Intercom matrix Software license to support up to 2 virtual VLINK keypanels on PC, or smart devices. System support SIP VOIP telephony and RTS trunking. Any PC, smart devices and Trunkmaster is not included. All required software can be download free of charge from the RTS website.	1.744,70 €
F.01U.388.141	VLINK-8REDNT	Software intercom redundant - 8 ports	676,00 €
F.01U.388.143	VLINK-2REDNT	Software intercom redundant - 2 ports	169,00 €
F.01U.388.144	VLINK-8SIP	Software interface SIP - 8 ports	6.843,20 €
F.01U.388.145	VLINK-2SIP	Software interface SIP - 2 ports	1.710,50 €
F.01U.388.146	VLINK-8SIPREDNT	Software interface SIP redundant - 8 ports	676,00 €
F.01U.388.148	VLINK-2SIPREDNT	Software interface SIP redundant - 2 ports	169,00 €
F.01U.388.142	VLINK-1RENTAL	<input type="checkbox"/> Software intercom - 1port RENTAL EUR 50,00 per license/month <input type="checkbox"/> minimum 3 month purchase (EUR 150,00 for a 3 month period) <input type="checkbox"/> Renewal of License Agreement will lead again to a minimum 3 month rental period	50,00 € net price

RTS VLINK

BUSINESS CASE: QUICK START GUIDE

VLink WebRTC



Switch between User and Guest login

By default, VLink allows for guests to login to the system. Unlike a User login, a Guest login does not need to be setup before the user can login.

Configuration

The configuration button allows you to change which VLink server you are connected to. This is usually left to default.

Auto-Login

If Auto-Login is switched to On the user will automatically be logged in when accessing the Control Panel.

Speak to all users

The multi-user icon indicates this is a party line

Video selector



Selectors

After logging in you will see an array of selectors. A white selector indicates that user is speaking.

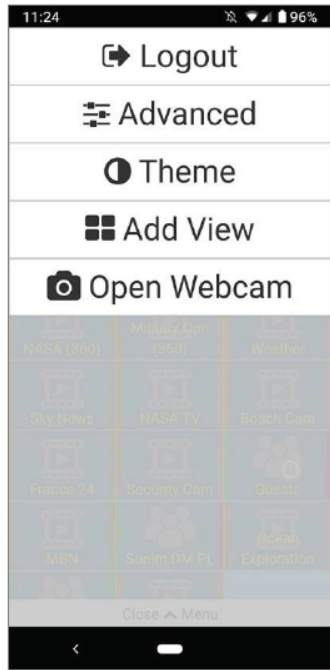


Tap the green bar to listen to a user and tap the red bar to speak.

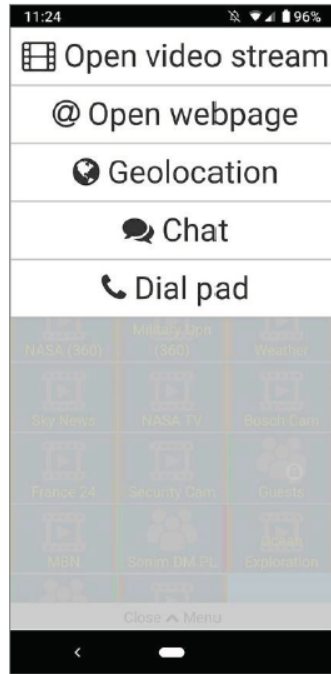
Click the Open Menu button for more features.

RTS VLINK

BUSINESS CASE: QUICK START GUIDE

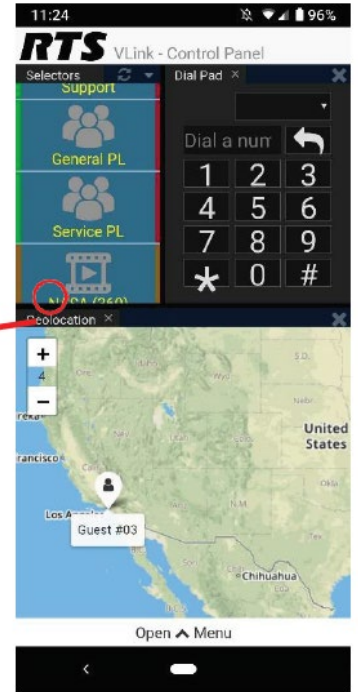


- Additional settings and features
- Change the selector style
- Open new windows ex: geolocation
- Tap this button to open the camera viewfinder and live-streaming settings.



- View a video stream from a URL or IP address
- Open a webpage to use from within VCOM
- View the location of other users on a global map
- Send instant messages to other users (may be unavailable on your Control Panel)
- Dial phone numbers and call out from preconfigured SIP phone lines

Tap and drag a window's title to move it and resize it



RTS VLINK

BUSINESS CASE: VLINK RENTAL LICENSE PROGRAM

- ❑ EUR 50,00 per license/month
- ❑ minimum 3 month purchase (EUR 150,00 for a 3 month period)
- ❑ Renewal of License Agreement will lead again to a minimum 3 month rental period.

Minimum requirements to use:

Trunk Master – needs OMNEO card or ODIN. Make use of TM10K promotion!

Standalone Vlink does not require a Trunk Master or OMNEO device.

NOTE: There is no rental of any hardware associated

with this Vlink rental proposal. All hardware to be sold as normal.

Order Information:

VLink part number F.01U.216.946 – change part description manually on the order.



RTS ROADMAP 2020 PROMOTIONS: TRUNKMASTER

*preliminary date of availability: October 2020

RTS Trunkmaster TM-10K Promotion

- Decide for TM-10K and enable your operation to be extended decentralized
- Enjoy latest feature enhancements of advanced audio gain control
- Receive incentivized pricing for TM-10K & FOC software license* to enable gain control (cost: ~2.500 EUR)

Customer/User Benefit

- KP Volume control of remotely connected trunked systems
- Improved Trunking connectivity and security

Target Group:

- Broadcasters with clear intention to extend their operation more into remote production
- Broadcasters interested to step into RTS VLINK enabled software solutions
- Rental companies offering remote production solutions

Net selling price EURO net

F.01U.284.378 TM-10K	3.500,00
-------------------------	----------

The RTS Trunking System manages communications between separate intercom systems using intercom ports reserved and connected between the intercom systems. Keypanels or other data devices can then communicate with various destinations in other intercom systems via the reserved intercom ports. This is different from bus expansion, in which the bus system of two (2) or more frames are interconnected to form one (1) system with decentralized hardware. The RTS Trunking System consists of a TM-10K which supports trunking data through Ethernet.

Terms & Conditions:

1. Net selling price applies.
2. No further discounts.
3. Trunkmaster Gain control feature enhance will be available as software download from XX.XX.2020 onwards
4. Promotion is valid until 31.12.2020



THANK YOU