

LAMBDA 50 ✓

The Award winning LAMBDA 50 Nodal Head is the only Support that allows to set the nodal position with any Camera and pivoting 360° on the focal plan at "0" gravity.

The settings are achieved by graduated slides both horizontally and vertically with micrometric cranks for extreme precision.

A smart system of orientable counterweight rods can be used when the slide run is not sufficient.

The LAMBDA 50 Head performs a high level of operational flexibility and can be mounted on any classic support as Tripods,

Camera cars, Dollies, Aerial Shots or used in underslung position from Cranes and Jib arms provide accurate images which normally cannot be obtained with other traditional Camera supports.

A variety of optional accessories as the 3° AXIS, the 150mm bowl base, steering wheel, eyepiece holder and the counterweight rods for nodal setting, complete the equipment of the most versatile of supports.

SPECIFICATIONS

Max Payload capacity	50 Kg	110 lbs
Weight	21 Kg	46 lbs
Pan/Tilt range	360°	
Fluid Drag	7 steps + 0	
Attachment	Flat Mitchell/150mm	
Temperature range	-40°/+60° C -40°/+140° F	



3° AXIS 25 ✓

The LAMBDA 25 allows the camera operator to perform Nodal settings in three AXIS rotation as if included in a sphere.

The 3° AXIS can be mounted on the LAMBDA 25 by simply disassembling the two "L" shaped frames and inserting the 3° AXIS in between.

Ideal for underslung use on dollies or cranes.

Two 1 Kg (2,2 lbs) counterweights complete the package.

SPECIFICATIONS

Max Payload capacity	20 Kg	44 lbs
Weight	5,8 Kg	12.7 lbs
Rotation	360°	
Fluid Drag	Continuous	
Attachment	6 screw to the main Lambda 25 frame	
Temperature range	-40°/+60° C -40°/+140° F	



HL 2500/TA



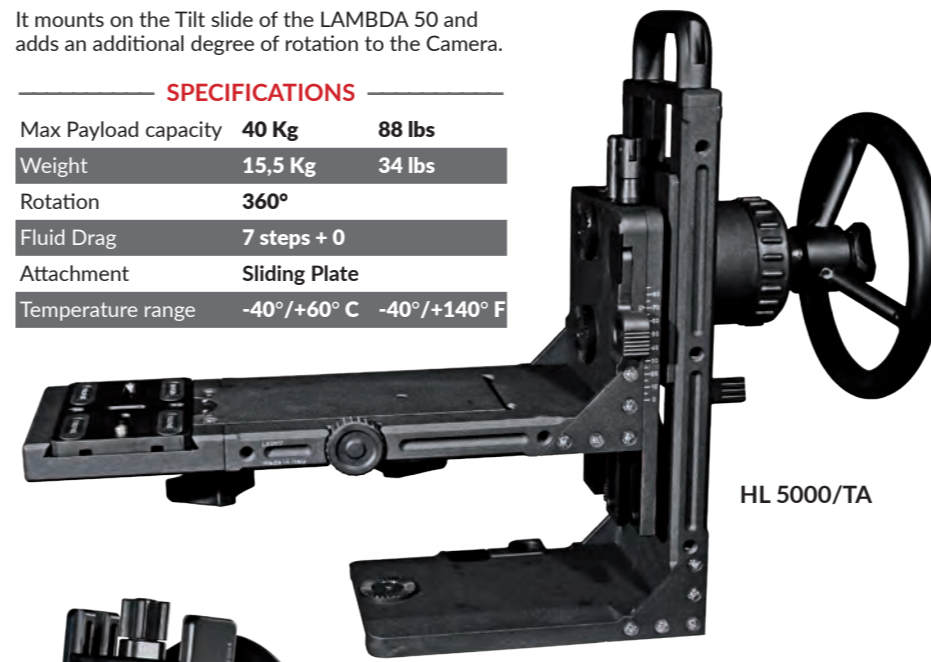
3° AXIS 50 ✓

The 3° AXIS for the LAMBDA 50 features a patented CARTONI Fluid drag module with 7 drag settings plus 0 for a complete freewheeling.

It mounts on the Tilt slide of the LAMBDA 50 and adds an additional degree of rotation to the Camera.

SPECIFICATIONS

Max Payload capacity	40 Kg	88 lbs
Weight	15,5 Kg	34 lbs
Rotation	360°	
Fluid Drag	7 steps + 0	
Attachment	Sliding Plate	
Temperature range	-40°/+60° C -40°/+140° F	



HL 5000/TA



For more information please visit:



www.cartoni.com Product Line

4/17



CARTONI S.p.A.
Via Giuseppe Mirri, 13 - 00159 Roma
Tel. +39 06.4382002 - Fax +39 06.43588293
e-mail: cartoni@cartoni.com

CARTONI

PROFESSIONAL CAMERA SUPPORT

LAMBDA ✓

Ultimate Nodal Camera Supports



TOTAL DUTCH HEAD ✓

The **TOTAL DUTCH HEAD** is a new revolutionary CARTONI patented professional tool that adds a 3° AXIS lateral rotation movement to any classic Heavy-Duty pan and tilt Head.

The **TOTAL DUTCH** allows the camera operator to create extraordinary and unusual ultimate 360° **TOTAL DUTCH** rotation shots.

This rotation is performed by a direct steering wheel with a hollow center as a cable channel.

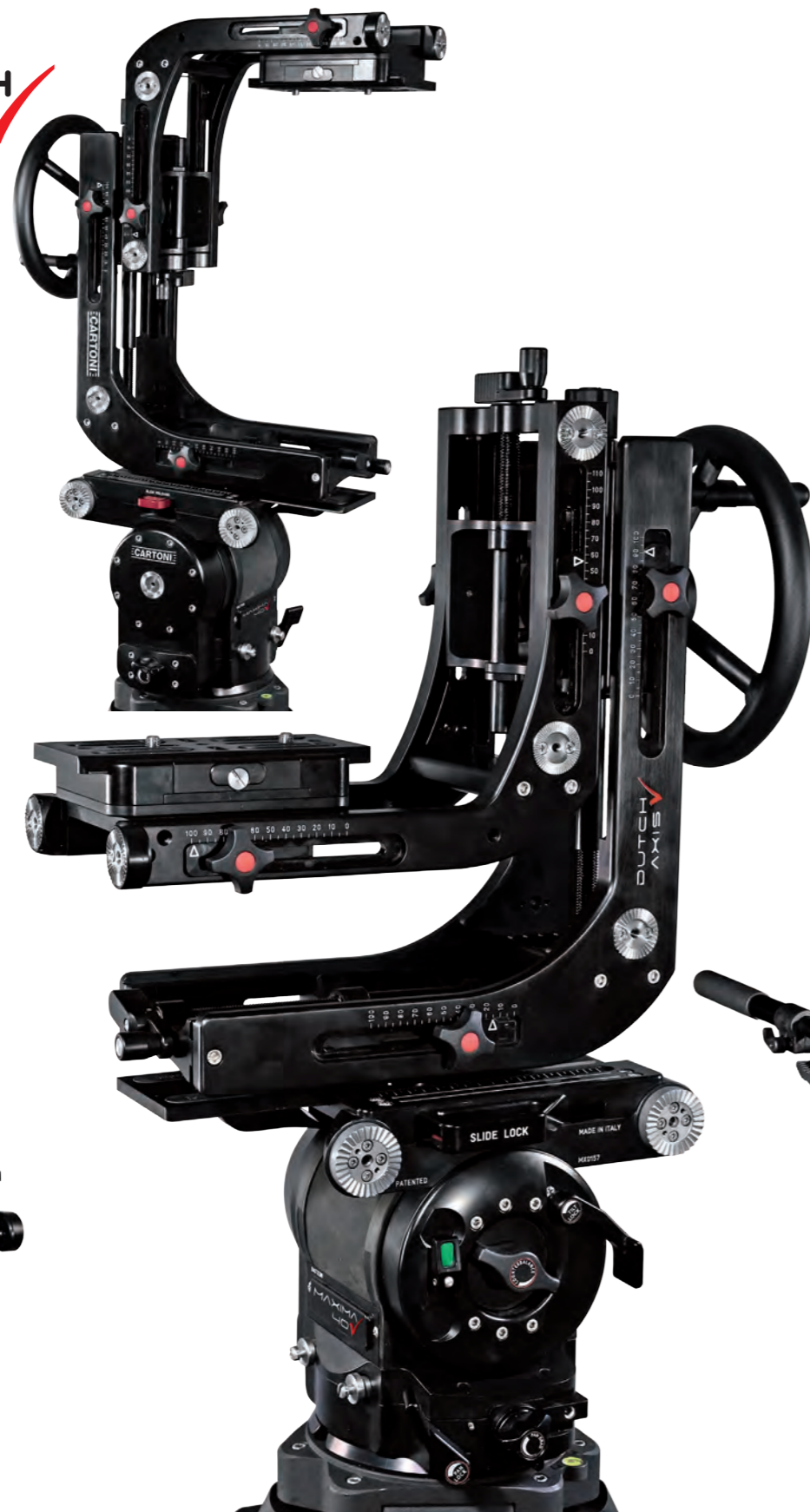
Two 1 Kg (2.2 lbs) counterweights complete the set-up for a true Nodal rotation around the optical center.

The **TOTAL DUTCH HEAD** is ready to be installed on top of any Head via two 3/8" screws.

After setting the standard with its famed **DUTCH HEAD** in 2000, CARTONI has expanded the canted angle capability, creating the ultimate in **DUTCH** angle compositions.

SPECIFICATIONS

Max Payload capacity	25 Kg	55 lbs
Weight	10,5 Kg	23 lbs
Rotation	360°	
Fluid Drag	Continuous	
Attachment	Two 3/8" screws	
Temperature range	-40°/+60° C	-40°/+140° F



LAMBDA 10 ✓

As the entry-level member of the CARTONI Nodal Heads the **LAMBDA 10** replicates all the features of the classic **LAMBDA** for a perfect Camera setting at any angle.

Two patented Fluid 3 steps modules smoothly assist all Pan and Tilt movements.

The **LAMBDA 10** can be mounted on any 100mm bowl Tripod or base and is ideal for underslung use on Jib arms, Cranes, as well as for table top work or medical documentaries.

The **LAMBDA 10** matches perfectly with the CARTONI JibO.

SPECIFICATIONS

Max Payload capacity	10 Kg	22 lbs
Weight	6,0 Kg	13 lbs
Pan/Tilt range	360°	
Fluid Drag	3 steps + 0	
Attachment	100mm	
Temperature range	-40°/+60° C	-40°/+140° F



LAMBDA 25 ✓

The innovative lightweight **LAMBDA 25** represents the ideal solution for Cameras up to the 25 kg (55 lbs).

LAMBDA 25 inherits all the classic award winning **LAMBDA 50** features with the addition of pan and tilt pierced rotation axis to allow the cable passage and a no limit multiple 360° rotation.

The patented CARTONI Fluid drag system is continuous on both AXIS.

The **LAMBDA 25** Head can be mounted on any classic support as Tripods or Dollies or used in underslung position from Cranes and Jib arms.

SPECIFICATIONS

Max Payload capacity	25 Kg	55 lbs
Weight	12 Kg	26 lbs
Pan/Tilt range	360°	
Fluid Drag	Continuous	
Attachment	Flat Mitchell/150mm	
Temperature range	-40°/+60° C	-40°/+140° F

