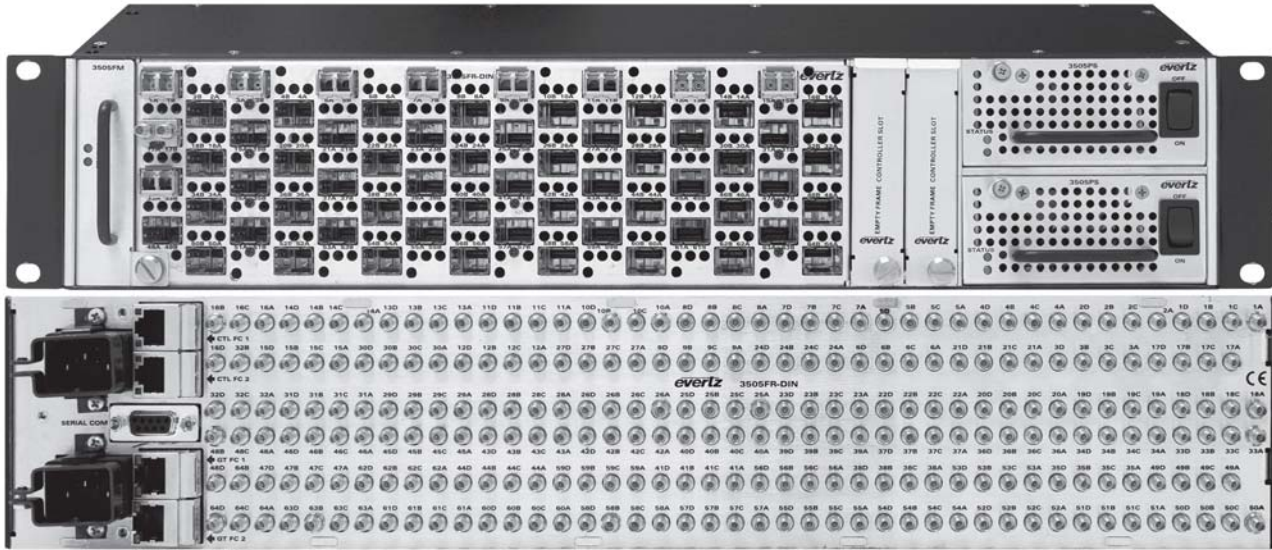
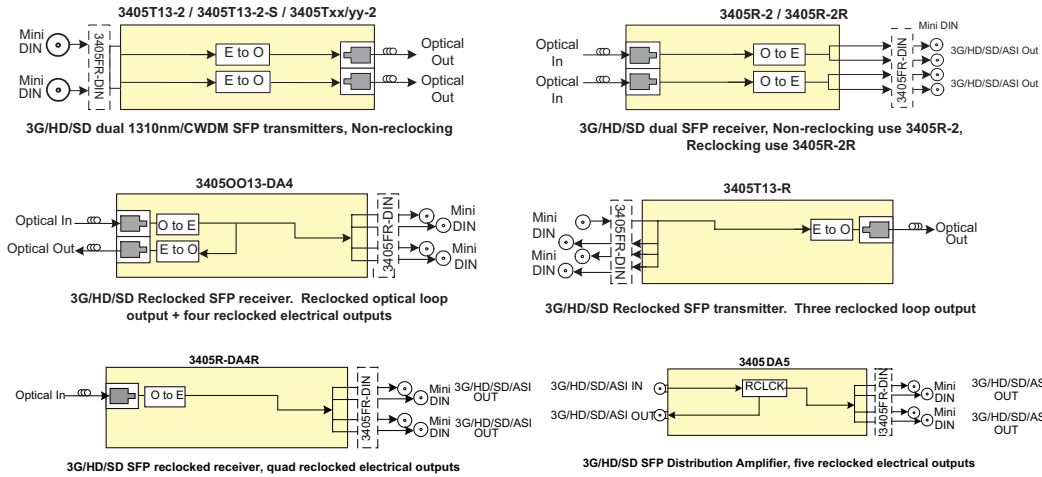




3505FR-DIN



SFP Options



The Evertz® 3505FR-DIN SFP frame is the ideal solution for today's low cost, high density fiber optic distribution needs. The 3505FR-DIN provides the flexibility to handle the high-speed requirements of 3G and HDTV as well as SD-SDI, SDTI, and DVB-ASI.

All components are hot swappable through the front of the frame including SFPs, frame controllers and power supplies. This ensures the unit can be fully serviceable in the field without having to be de-cabled or removed from the rack.

The 3505FR-DIN is a 2RU frame designed to house up to 64 Evertz® SFP modules. This provides up to 128EO or 128OE in two units of space. The frame can be configured for a mixture of transmit, receive and distribution modules. See SFP options above.

►Features & Benefits

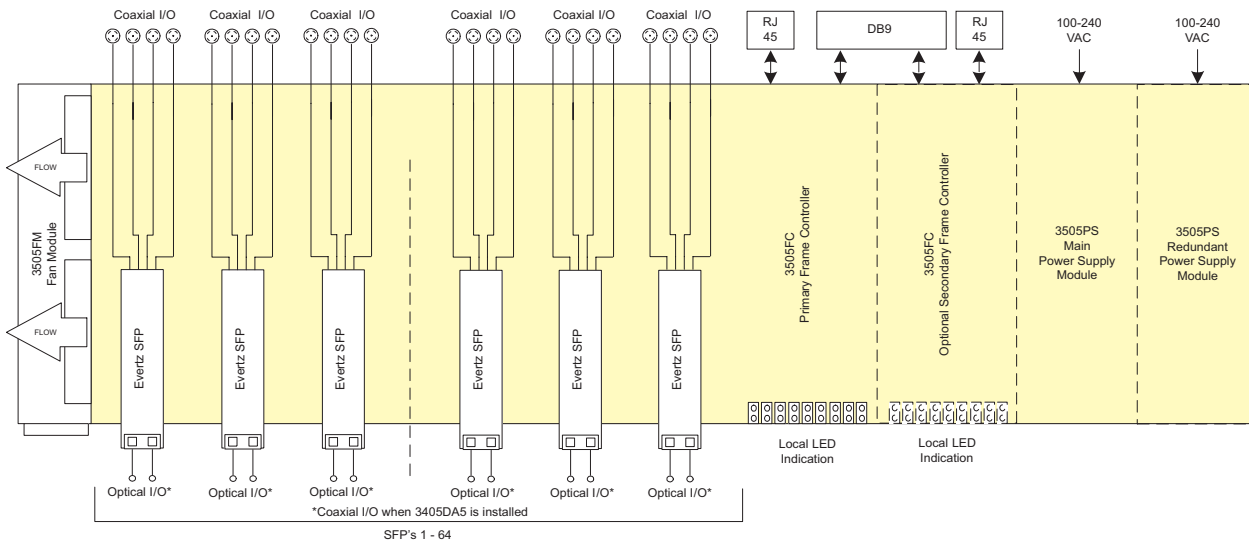
- Dual Power supplies (primary and redundant) are available
- Houses up to 64 front loading Evertz® 3405 SFP modules
- Each slot can be used as an input or output based on SFP type

The 3505FR-DIN is VistaLINK® -capable with support for primary and secondary frame controllers.

The 3505FR-DIN frame comes with a single power supply and fan module. Frame controllers, redundant power supply and SFP's are must be ordered separately.

- Dual primary & secondary 3505FC Frame Controllers for full VistaLINK® SNMP control and monitoring are available
- No electrical re-cabling required when hot swapping SFP modules
- The industry's highest density optical conersion platform with up to 128 EO or 128 OE or (for any combination thereof) in 2RU





Specifications (Note: Electrical input & output specs only apply to reclocking SFP modules)

System:

Density: Up to 128 EO, OE, or mixture of EO and OE in a 2RU unit
 Impedance: 75Ω

Communication and Control:

Serial: RS-232 - single Female 9-pin D connector
 Ethernet: SNMP over IEEE 802.3/U (10/100 BaseTx) RJ45 connector for M&C
 Control: VistaLINK®/SNMP

Optical Output:

Number of Outputs: Up to 2 per SFP
 Connector: LC/UPC
 Optical Power:
 Standard: -2dBm +/-1dBm
 -S (Short haul): -7dBm +/-1dBm
 CWDM: +3.5dBm +/-1dBm
 Wavelength:
 Standard & -S: 1310nm
 CWDM: 1270nm-1610nm
 ITU-T G.694.2 compliant

Optical Input:

Number of Inputs: Up to 2 per SFP
 Connector: LC/UPC
 Operating Wavelength: 1270nm to 1610nm
 Maximum Input Power:
 Standard: -1dBm
 Optical Sensitivity:
 Standard: -21dBm at 2.97Gb/s pathological Level A
 -23dBm at 2.97Gb/s color bars

Electrical Inputs:

Reclocked Standard: SMPTE 424M (3 Gb/s), SMPTE 292M (1.5Gb/s), SMPTE 259M (270Mb/s), DVB-ASI
 Connector: Mini DIN 1.0/2.3
 Equalization: Automatic to 80m @ 3 Gb/s 100m @ 1.5Gb/s 250m @ 270Mb/s (with Belden 1694A or equivalent)
 Return Loss: > 15dB up to 1.5GHz
 > 10dB up to 3GHz

Electrical Outputs:

Connector: Mini DIN 1.0/2.3
 Impedance: 75Ω (nominal)
 Signal Level: 800mV (nominal)
 DC Offset: 0V +/-0.5V
 Rise and Fall Time (Reclocked SFP's only): < 135ps (HD/3G)
 < 900ps (SD)
 Overshoot(Reclocked SFP's only): < 10% of amplitude
 Return Loss: >15dB to 1.5GHz
 >10dB to 3GHz
 Alignment Jitter(Reclocked SFP's only): < 0.2UI (Reclocked) to 1.485Gb/s
 < 0.3UI (Reclocked) to 2.97Gb/s

Electrical:

AC Input: Auto-ranging, 100-240VAC, 50/60Hz
 Power: 200W max
 Connector: IEC 320 - 1 per power supply

Physical:

Dimensions: 3.5"H x 19"W x 5.5"D
 Module Capacity: 64 Evertz 3405 or 3505 SFP's

Ordering Information

3505FR-DIN Fiber Optic SFP DIN frame

NOTE: Multimode applications require a 5dB optical attenuator at the output of all transmitting ports. Contact factory for all multimode applications.

Ordering Options:

+35PS Redundant power supply

Accessories:

3505FC SNMP Frame Controller
3505FM Spare/replacement fan module
J/LC/LC/ATTEN-5DB 5dB optical attenuator. Required for multimode applications
3505PS Spare/replacement power supply module

Evertz SFP modules:

3405T13-2 3G/HD/SD dual 1310nm SFP transmitters. Non-reclocking
3405T13-2-S 3G/HD/SD dual 1310nm SFP transmitters. Non-reclocking. (Low optical power for short haul, interfacility, and multimode applications)
3405Txx/yy-2 3G/HD/SD dual CWDM SFP transmitters. Non-reclocking
3405R-2R 3G/HD/SD dual SFP receiver, reclocking
3405R-2 3G/HD/SD dual SFP receiver, Non-reclocking
3405T13-R 3G/HD/SD Reclocked SFP transmitter. Reclocked electrical loop output
3405O13-DA4 3G/HD/SD Reclocked SFP receiver. Reclocked optical loop output and dual reclocked electrical outputs
3405DA5 3G/HD/SD Distribution Amplifier, five reclocked electrical outputs
3405R-DA4R 3G/HD/SD SFP Reclocked receiver, quad reclocked electrical outputs

Note: xx/yy versions include the following, 27/29, 31/33, 35/37, 43/45 - Low Band
 47/49, 51/53, 55/57, 59/61 - High Band