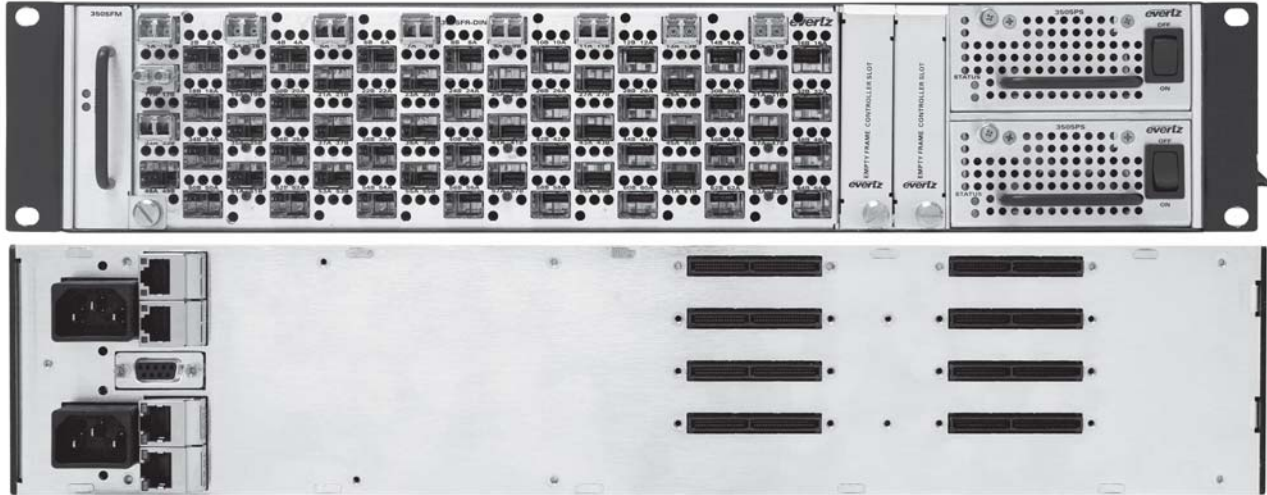


# 3505FR-XLINK

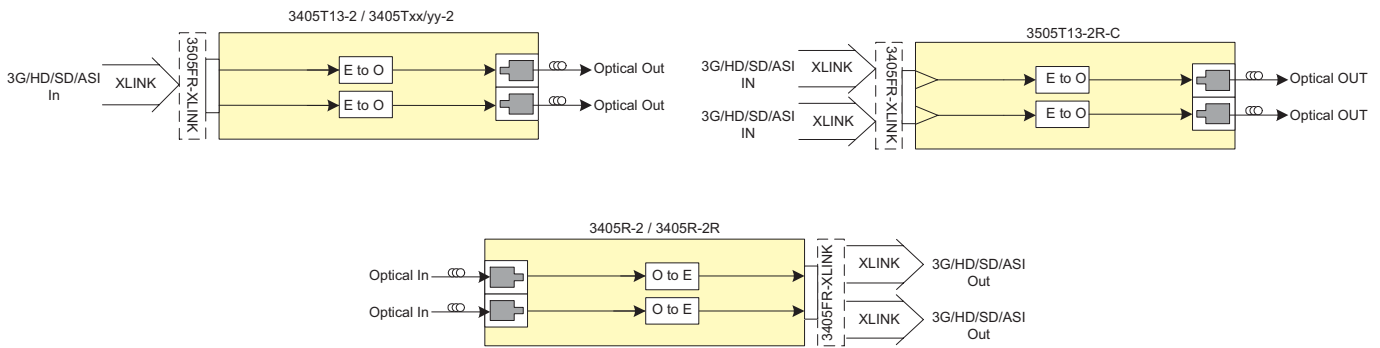
XLINK Fiber Optic SFP Frame



## 3505FR-XLINK



### SFP Options



The Evertz® 3505FR-XLINK frame is the ideal solution for today's low cost, high density fiber optic distribution needs for X-LINK/fiber connectivity.

All components are hot swappable through the front of the frame including SFPs, frame controllers and power supplies. This ensures the unit can be fully serviceable in the field without having to be de-cabled or removed from the rack.

The 3505FR-XLINK is a 2RU frame designed to house up to 64 Evertz® SFP modules. This provides up to 128 EO or 128 OE in two rack units of space to connect X-LINK to optics, or optics back to X-LINK.

Each optical port maps to a pair of XLINK connectors. This facilitates signal splitting of optical inputs and combining prior to optical outputs. This is used for configuring expanded multi-frame router systems.

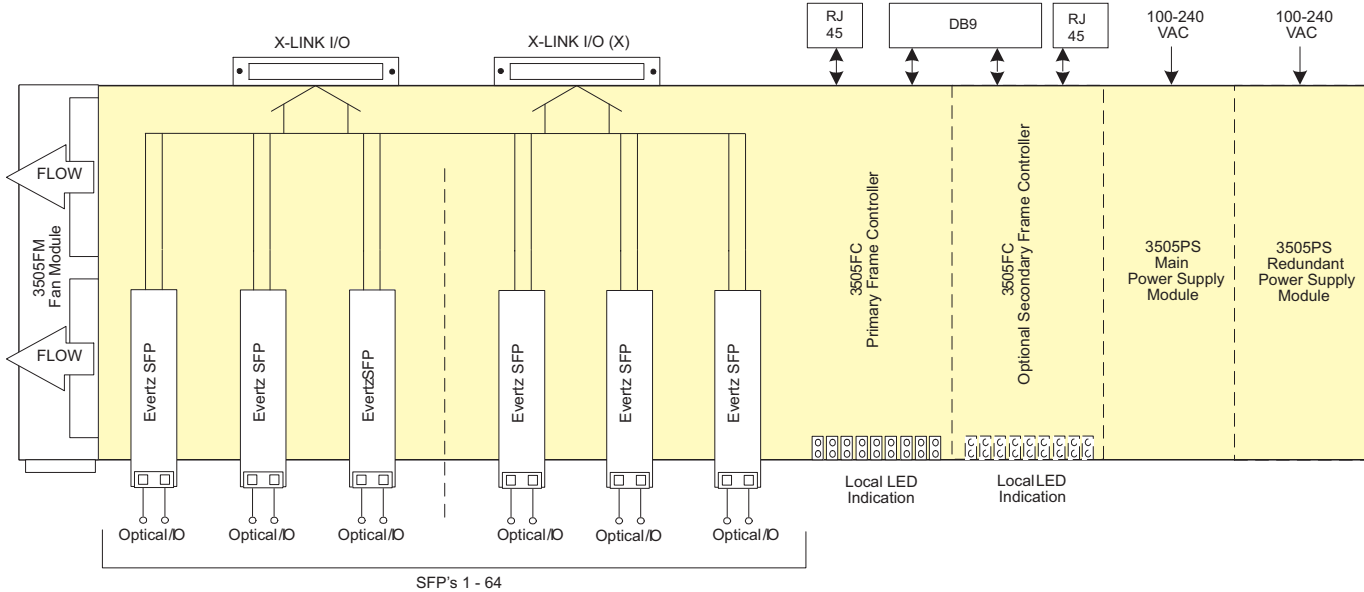
The 3505FR-XLINK is VistaLINK® -capable with support for primary and secondary frame controllers.

The 3505FR-XLINK comes with a single power supply and fan module. Frame controllers, redundant power supply and all SFP's are extra.

### ►Features & Benefits

- Dual Power supplies (primary and redundant) are available
- Houses up to 64 front loading Evertz® 3405 or 3505SFP modules
- Each slot can be used as an input or output based on SFP type

- Dual primary & secondary 3505FC Frame Controllers for full VistaLINK® SNMP control and monitoring are available
- The industry's highest density optical conversion platform with up to 128 EO or 128 OE (for any combination thereof) conversions in 2RU



SFP's 1 - 64

### ► Specifications

#### System:

Density: Up to 128 EO, OE, or mixture of EO and OE to X-LINK conversion in a 2RU unit  
 Impedance: 75Ω  
 Connector: XLINK

#### Communication and Control:

Serial: RS-232 - single Female 9-pin D connector  
 Ethernet: SNMP over IEEE 802.3/U (10/100 BaseTx) RJ45 connector for M&C  
 Control: VistaLINK®/SNMP

#### Optical Output:

Number of Outputs: 2 per SFP  
 Connector: LC/UPC  
 Optical Power: Standard: -2dBm +/-1dBm  
 CWDM: +3.5dBm +/-1dBm  
 Wavelength: 1310nm

#### Optical Input:

Number of Inputs: 2 per SFP  
 Connector: LC/UPC  
 Operating Wavelength: 1270nm to 1610nm  
 Maximum Input Power: Standard: -1dBm  
 Optical Sensitivity: Standard: -21dBm at 2.97Gb/s pathological Level A  
 -23dBm at 2.97Gb/s color bars

#### Electrical:

AC Input: Auto-ranging, 100-240VAC, 50/60Hz  
 Power: 200W max  
 Connector: IEC 320 - 1 per power supply

#### Physical:

Dimensions: 3.5"H x 19"W x 5.5"D  
 Module Capacity: 64 Evertz 3405 or 3505 SFP's

### ► Ordering Information

**3505FR-XLINK** X-LINK Fiber Optic SFP frame

#### Ordering Options:

**+35PS** Redundant power supply

#### Accessories:

**3505FC** 3505 Frame controller  
**3505FM** Spare/replacement fan module  
**3505PS** Spare/replacement power supply module

#### Evertz SFP modules:

**3405T13-2** 3G/HD/SD dual 1310nm SFP transmitter. Non-reclocking  
**3405T13-2R-C** 3G/HD/SD dual reclocking transmitter, internal combiner for expanded router systems  
**3405R-2R** 3G/HD/SD dual SFP receiver, reclocking  
**3405R-2** 3G/HD/SD dual SFP receivers, Non-reclocking