

3405FRS-BNC

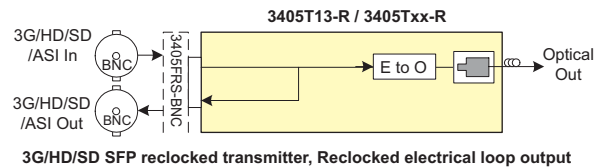
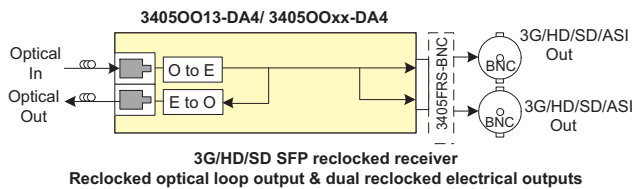
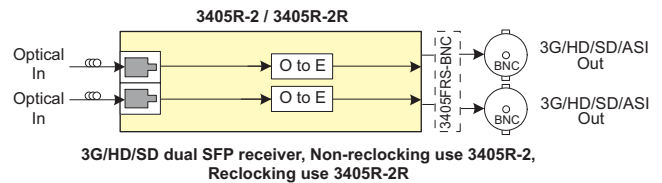
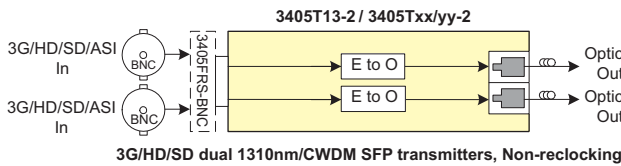
Standalone Fiber Optic SFP BNC Frame



3405FRS-BNC



Evertz 3405SFP Options



The Evertz® 3405FRS-BNC SFP frame is the ideal solution for today's low cost, high density fiber optic distribution needs. The 3405FRS-BNC provides the flexibility to handle the high-speed requirements of 3G and HDTV as well as SD-SDI, SDTi, and DVB-ASI.

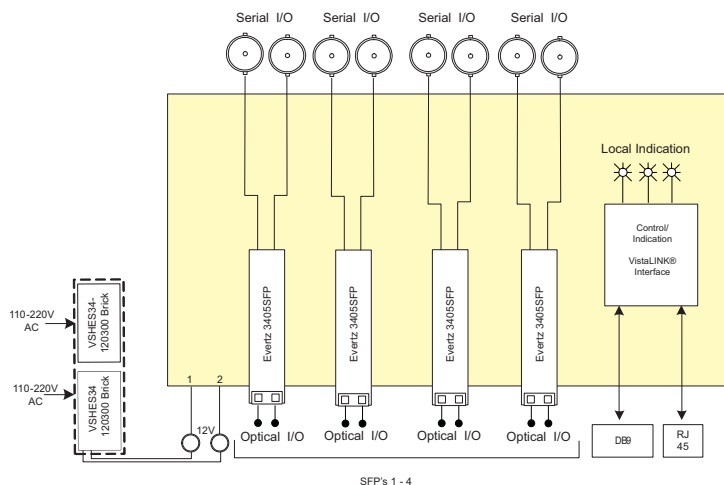
The 3405FRS-BNC is designed on a standalone frame to house up to 4 hot swappable Evertz® SFP modules. This provides up to 8 EO or 8 OE in a standalone frame. The frame can be configured for a mixture of modules. See SFP options above.

The on board frame controller provides VistaLINK® capabilities for SNMP control and monitoring.

The 3405FRS-BNC frame comes with a primary external power supply module. SFP's and redundant power supply must be ordered separately. Please see ordering information.

►Features & Benefits

- Dual Power supplies (primary and redundant)
- Houses up to 4 front loading Evertz® SFP modules
- Each slot can be used as an input or output based on SFP type
- On board Frame Controller for full VistaLINK® SNMP control and monitoring
- No electrical re-cabling required when hot swapping SFP modules



► Specifications

System:

Density: Up to 8 EO, OE, or mixture of EO and OE in a miniature frame
 Impedance: 75Ω
 Connector: BNC per IEC 61169-8 Annex A

Communication and Control:

Serial: RS-232 - single Female mini 9-pin connector
 Ethernet: SNMP over IEEE 802.3/U (10/100 BaseTx) RJ45 connector
 Control: VistaLINK® / SNMP

Optical Output:

Number of Outputs: Up to 2 per SFP
 Connector: LC/UPC
 Rise/Fall Time: <270ps
 Optical Power:
 Standard: -1dBm ±1dBm
 CWDM: +1dBm ±1dBm
 Wavelength:
 Standard: 1310nm
 CWDM: 1270nm-1610nm
 ITU-T G.694.2 compliant

Optical Input:

Number of Inputs: Up to 2 per SFP
 Connector: LC/UPC
 Operating Wavelength: 1270nm to 1610nm
 Maximum Input Power:
 Standard: -1dBm
 Optical Sensitivity:
 Standard: -21dBm at 2.97Gb/s pathological Level A
 -23dBm at 2.97Gb/s color bars

Electrical Inputs:

Standard: SMPTE 424M (3 Gb/s), SMPTE 292M (1.5Gb/s), SMPTE 259M (270Mb/s), DVB-ASI
 Connector: BNC per IEC 61169-8 Annex A
 Equalization: Automatic to 80m @ 3 Gb/s 100m @ 1.5Gb/s

Return Loss: 250m @ 270Mb/s (with Belden 1694A or equivalent)
 > 15dB up to 1.5GHz
 > 10dB up to 3GHz

Electrical Outputs:

Standard: SMPTE 424M (3 Gb/s), SMPTE 292M (1.5Gb/s), SMPTE 259M (270Mb/s), DVB-ASI
 Connector: BNC per IEC 61169-8 Annex A
 Impedance: 75Ω (nominal)
 Signal Level: 800mV (nominal)
 DC Offset: 0V +/-0.5V
 Rise and Fall Time: < 135ps (HD/3G)
 < 900ps (SD)
 Overshoot: < 10% of amplitude
 Return Loss: >15dB to 1.5GHz
 >10dB to 3GHz
 Alignment Jitter: < 0.2UI (Reclocked) to 1.485Gb/s
 < 0.3UI (Reclocked) to 2.97Gb/s

VSHE34-120300 External Power Supply Brick:

AC Mains Input: Auto ranging, 100 - 240 VAC, 50/60 Hz
 Number of Outputs: 1
 Output Voltage: 12VDC
 Output Connector: Coaxial power connector
 Max Power
 Dissipation: 36 W
 Status Indicators: Green OK LED

Physical:

Dimensions: 1.03"H x 7.08"W x 4.125"D
 Module Capacity: 4 Evertz® SFP modules
 Operating Temperature: 0-40°C

Electrical:

Power Supply Configuration: Dual external supplies (primary/secondary VSHE34-120300)
 DC Input 12V DC (external power supplies required for 110-220V)
 Voltage:
 Max Power Consumption: 12W (fully loaded frame with all accessories) Note - power consumption dependent on SFP type

Compliance:

Safety: CSA Listed, Complies with EU Safety Directive
 EMC: Complies with FCC part 15, Class A
 Complies with EU EMC Directives

► Ordering Information

3405FRS-BNC Standalone Fiber Optic SFP BNC frame (includes primary power supply), SFP's and redundant power supply ordered separately

Note: xx/yy versions include the following, 27/29, 31/33, 35/37, 43/45 - Low Band
 47/49, 51/53, 55/57, 59/61 - High Band

Power Supplies:
VSHE34-120300 Redundant power supply brick

Note: xx versions include the following, 27, 29, 31, 33, 35, 37, 43, 45, 47, 49, 51, 53, 55, 57, 59, 61

Evertz SFP modules:

3405T13-2 3G/HD/SD dual 1310nm SFP transmitters. Non-reclocking
3405Txx/yy-2 3G/HD/SD dual CWDM SFP transmitters. Non-reclocking
3405R-2 3G/HD/SD dual SFP receiver. Non-reclocking
3405R-2R 3G/HD/SD dual SFP receiver, reclocked electrical outputs
3405T13-R 3G/HD/SD Reclocked SFP transmitter, reclocked electrical loop output
3405Txx-R 3G/HD/SD Reclocked CWDM SFP transmitter, reclocked electrical loop output
3405O013-DA4 3G/HD/SD Reclocked SFP receiver, reclocked optical loop output and dual reclocked electrical outputs
3405O0xx-DA4 3G/HD/SD Reclocked SFP receiver, reclocked CWDM optical loop output and reclocked and electrical outputs