

# 7700R4x1-HD

## HD/SD-SDI 4x1 Modular Router



The 7700R4x1-HD provides a convenient, low cost way to route high definition and standard definition serial digital signals. The 7700R4x1 can be used for 1.5Gb/s, 270Mb/s, 360Mb/s, 540Mb/s and DVB-ASI and 143Mb/s serial digital signals.

The module can also be used for SMPTE 310M (19.4Mb/s) signals with the internal reclocker turned off. The 7700R4x1-HD features auto-equalized inputs with two re-clocked outputs. The 7700R4x1-HD is housed in the Evertz® 7800FR Multiframe which is available in a 3RU or a 1RU version.

### ►Features & Benefits

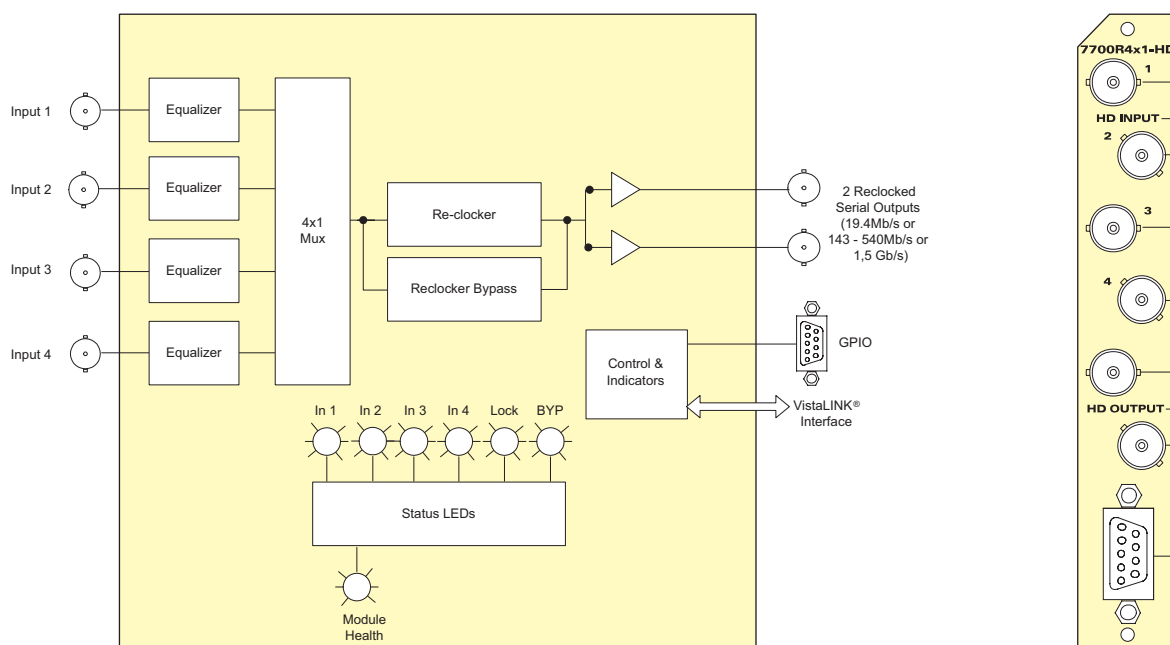
- Hot-swappable, front-loading modular 4x1 routing
- Full support for SMPTE 292M (1.5Gb/s), SMPTE 259M (270, 360, 143Mb/s) and SMPTE 344M (540Mb/s)
- DVB-ASI compatible with all outputs maintaining polarity from input to output
- Non-reclocking mode for SMPTE 310M (19.4Mb/s)
- Features independent isolated outputs to ensure no cross-channel loading effects (no need to terminate unused outputs)
- VistaLINK® capable for remote monitoring, control and configuration capabilities via SNMP; using VistaLINK® PRO, CP-2116E or CP-2232E Control Panels. VistaLINK® is available when modules are used with the 3RU 7800FR frame and a 7700FC VistaLINK® Frame Controller module in slot 1 of the frame
- LEDs for signal presence and module health

### Input

- SMPTE 292M (1.5Gb/s), SMPTE 259M (270Mb/s, 360Mb/s, 143Mb/s), SMPTE 344M (540Mb/s) and DVB-ASI
- SMPTE 310M (19.4Mb/s) - non-reclocking mode
- Return Loss > 15dB up to 1.5Gb/s
- Automatic cable equalization up to 100m at 1.5Gb/s

### Output

- 2 re-clocked outputs
- Return loss > 15dB up to 1.5Gb/s
- Wideband jitter < 0.2 UI



### ►Specifications

<b>Serial Video Input:</b> Standard: SMPTE 292M, 259M, 344M, DVB-ASI In Non-Reclock Mode: SMPTE 310M Number of Inputs: 4 Connector: 1 BNC per IEC 61169-8 Annex A Equalization: Automatic to 100m @ 1.5Gb/s with Belden 1694A (or equivalent) Return Loss: > 15dB to 1.5Gb/s Wideband jitter: < 0.2 UI	DC Offset: 0V ±0.5V Rise and Fall Time: 200ps nominal Overshoot: < 10% of amplitude Return Loss: > 15dB to 1.5Gb/s Wideband jitter: < 0.2 UI	<b>Physical (number of slots):</b> 350FR: 1 7700FR-C: 1 7800FR: 1
<b>Serial Video Outputs:</b> Number of Outputs: 2 Standard: SMPTE 292M, 259M, 344M, DVB-ASI In Non-Reclock Mode: SMPTE 310M Signal Level: 800mV nominal	<b>General Purpose Inputs/Outputs:</b> Number of Inputs: 4 Number of Outputs: 4 Type: Opto-isolated, active low or high GPI: Internal pull-ups to +5 or +12V (jumper settable) GPO: Internal pull-ups to +3.3V Connector: Female High Density DB-15 Signal Level: Closure to ground	<b>Electrical:</b> Voltage: +12V DC Power: 5W EMI/RFI: Complies with FCC Part 15, Class A EU EMC Directive

### ►Ordering Information

<b>7700R4x1-HD</b>	HD/SD-SDI 4x1 Modular Router
<b>Ordering Options</b>	Rear Plate must be specified at time of order Eg: Model + 3RU
<b>Rear Plate Suffix</b>	
+3RU	3RU Rear Plate for use with 350FR, 7700FR-C or 7800FR Multiframe
+1RU	1RU Rear Plate for use with 7701FR Multiframe
+SA	Standalone Enclosure Rear Plate

<b>Accessories</b>	
7700FC	VistaLINK® Frame Controller
CP-2116E-H	Remote Control Panel
CP-2232E	Remote Control Panel

<b>Enclosures</b>	
350FR	3RU Portable Multiframe which holds up to 7 single slot modules
7700FR-C	3RU Multiframe which holds up to 15 single slot modules
7800FR	3RU Multiframe which holds up to 15 single slot modules
7701FR	1RU Multiframe which holds up to 3 single or dual slot modules
S7701FR	Standalone Enclosure