

7700DA-AESB

Auto Equalizing Balanced AES/EBU Distribution Amplifier

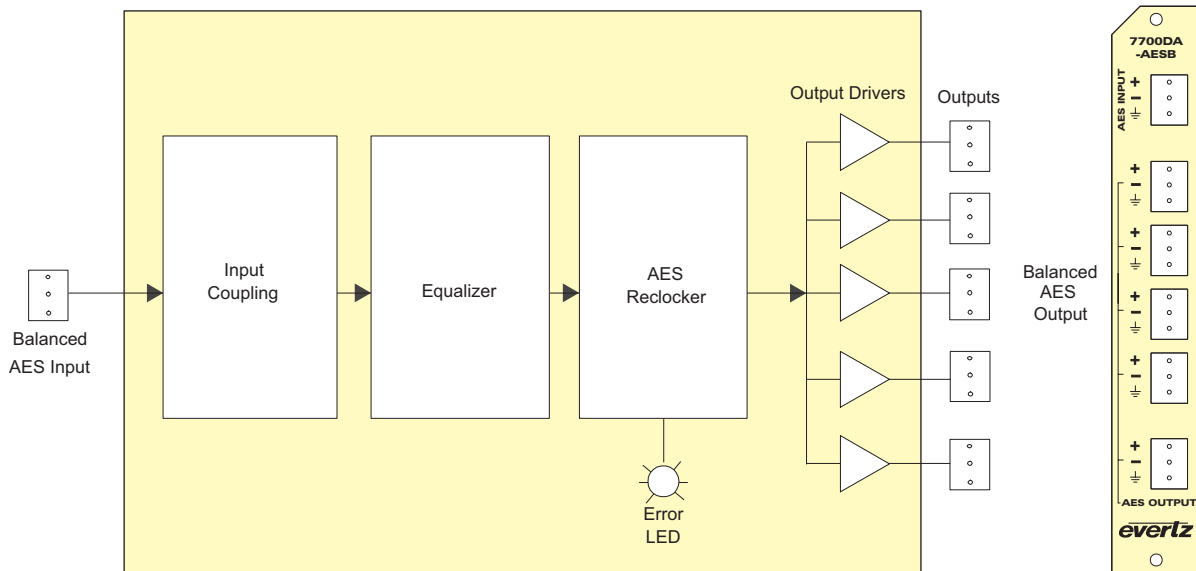
The 7700DA-AESB is a five output DA with auto equalizing input and reclocking for 110Ω balanced AES signals. The DA will automatically equalize AES signals on Belden 1800B cable when the drive signal is 7V p-p. The DA will reclock data with sampling frequencies of 32kHz, 44.1kHz, 48kHz and 96kHz.

The 7700DA-AESB card edge LED indicators provide quick and accurate assessment of the incoming signal integrity. The 7700DA-AESB also provides a contact closure output that can be configured using on-board jumpers to assert when an input error condition exists.

The 7700DA-AESB occupies one card slot and can be housed in a 1RU frame which will hold up to 3 modules, a 3RU frame which will hold up to 15 modules, a 350FR portable frame which will hold up to 7 modules or a standalone enclosure that will hold 1 module.

►Features & Benefits

- AES3-1992 standard for AES audio on 110Ω twisted pair cable
- Transformer coupled 110Ω balanced input (selectable Hi-Z)
- Data reclocking provides jitter reduction
- Automatic equalization
- EQ and reclock provide extended cable length compensation
- Five 110Ω balanced outputs
- Error LED indication for input PLL out of lock, parity error or biphas coding error
- External indication of input error condition using contact closure output



►Specifications

AES Input:	AES Output:	Electrical:
Standard: AES3-1992	Number of Outputs: 5 per card Reclocked	Voltage: +12V DC
Connector: 3-pin removable terminal strip	Connector: 3-pin removable terminal strip	Power: 1.8W
Number of inputs: 1	Output Level: 5V p-p	EMI/RFI: Complies with FCC Part 15, Class A
Input Level: 2 to 7V p-p	Output Impedance: 110Ω	EU EMC Directive
Coupling: Transformer	Return Loss: 30dB 100kHz to 6MHz	
Input Impedance: 110Ω (selectable Hi-Z)		Physical (number of slots):
Return Loss: > 14dB 100kHz to 6MHz		350FR: 1
Equalization: Automatic to 300m with Belden 1800B (or equivalent) @ 48kHz AES signal		7700FR-C: 1
Sampling Frequency: 32kHz, 44.1kHz, 48kHz and 96kHz		7800FR: 1

►Ordering Information

7700DA-AESB Auto Equalizing Balanced AES/EBU Distribution Amplifier

Ordering Options Rear Plate must be specified at time of order
Eg: Model +3RU

Rear Plate Suffix
+3RU 3RU Rear Plate for use with 350FR, 7700FR-C or 7800FR Multiframe
+1RU 1RU Rear Plate for use with 7701FR Multiframe
+SA Standalone Enclosure Rear Plate

Enclosures
350FR
7700FR-C
7800FR
7701FR
S7701FR

3RU Portable Multiframe which holds up to 7 single slot modules
 3RU Multiframe which holds up to 15 single slot modules
 3RU Multiframe which holds up to 15 single slot modules
 1RU Multiframe which holds up to 3 single or dual slot modules
 Standalone Enclosure