

7700VMDA & 7700VMDA-2Q

SD-SDI Monitoring Reclocking Distribution Amplifier

The 7700VMDA Reclocking Distribution Amplifier provides inexpensive distribution and composite encoder monitoring of your SMPTE 259M (270Mb/s) serial digital video signal. The 7700VMDA features an auto-equalized input with seven outputs that can be selected as either SDI or composite analog. The 7700VMDA-2Q has 2 channels, each with 3 selectable outputs, or it can be used as a single input DA with six outputs.

The 7700VMDA and 7700VMDA-2Q occupy one card slot each and can be housed in either a 1RU frame which will hold up to 3 modules, a 3RU frame which will hold up to 15 modules or a standalone enclosure which will hold 1 module.

►Features & Benefits

- Features independent isolated output drivers to ensure no cross channel loading effects (i.e. no need to terminate unused outputs)
- VistaLINK® -capable offering remote control and configuration capabilities via SNMP (using VistaLINK® PRO, 9000NCP or 9000NCP2 Network Control Panel) is available when modules are used with the 3RU 7800FR frame and a 7700FC VistaLINK® Frame Controller

Input

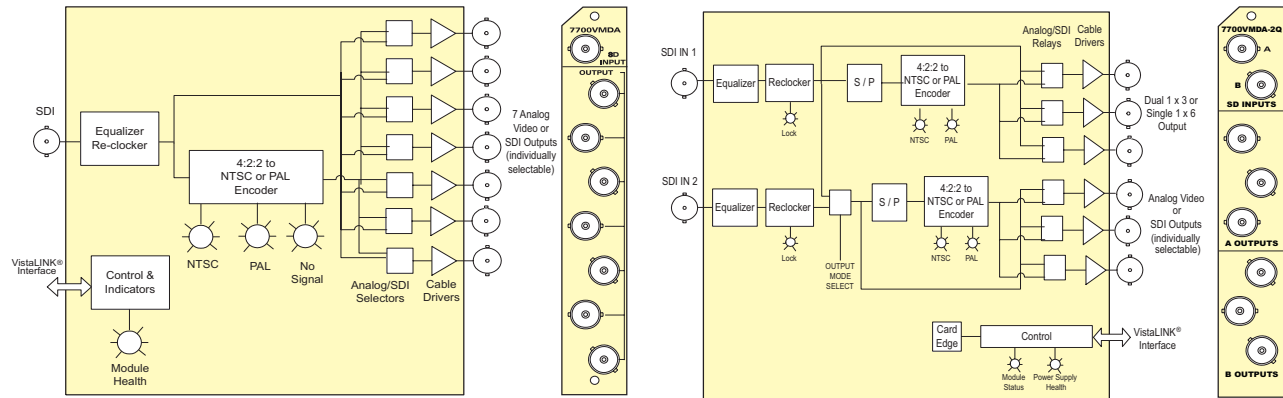
- Supports SMPTE 259M-C (270Mb/s) video with embedded audio
- Return loss > 15dB up to 540Mb/s
- 300m auto equalization at 270Mb/s (Belden 8281)

Outputs

- Selectable reclocked/composite encoder outputs
- Return loss > 15dB up to 540Mb/s
- Wideband jitter < 0.2 UI
- Passes embedded audio to SDI output

Card Edge LEDs

- Signal presence
- Module Health Status



►Specifications

Serial Video Input:

Standard: SMPTE 259M
 Connector: BNC per IEC 61169-8 Annex A
 Equalization: Automatic to 300m @ 270Mb/s with Belden 8281 (or equivalent)
 Return Loss: > 15dB up to 540Mb/s
 Embedded Audio: SMPTE 272M-A

Serial Video Output:

Number of Outputs: Up to 7 (jumper selectable) (7700VMDA)
 3 per channel (7700VMDA-2Q)
 Connector: BNC per IEC 61169-8 Annex A
 Signal Level: 800mV nominal
 DC Offset: 0V ±0.5V
 Rise and Fall Time: 740ps nominal
 Overshoot: < 10% of amplitude
 Return Loss: > 15dB up to 540Mb/s
 Wideband Jitter: < 0.2 UI

Analog Video Output:

Number of Outputs: Up to 7 (jumper selectable) (7700VMDA)
 3 per channel (7700VMDA-2Q)
 Standards: NTSC, SMPTE 170M if input is 525i/59.94
 PAL-B ITU 624-4 if input is 625i/50
 Connectors: BNC per IEC 61169-8 Annex A
 Signal Level: 1V p-p nominal
 DC Offset: 0V ±0.1V
 Return Loss: > 35dB up to 5MHz

Physical (number of slots):

350FR: 1
 7700FR-C: 1
 7800FR: 1

Electrical:

Voltage: +12V DC
 Power: 6W
 EMI/RFI: Complies with FCC Part 15, Class A
 EU EMC Directive

►Ordering Information

7700VMDA	Video Monitoring Reclocking DA, 1 channel, 7 outputs
7700VMDA-2Q	Video Monitoring Reclocking DA, 2 channels, 3 outputs per channel

Ordering Options Rear Plate must be specified at time of order
 Eg: Model +3RU

Rear Plate Suffix

+3RU 3RU Rear Plate for use with 350FR, 7700FR-C or 7800FR Multiframe
+1RU 1RU Rear Plate for use with 7701FR Multiframe
+SA Standalone Enclosure Rear Plate

Enclosures

350FR 3RU Portable Multiframe which holds up to 7 single slot modules
7700FR-C 3RU Multiframe which holds up to 15 single slot modules
7800FR 3RU Multiframe which holds up to 15 single slot modules
7701FR 1RU Multiframe which holds up to 3 single or dual slot modules
S7701FR Standalone Enclosure

