

7700ADA6-EQ-L

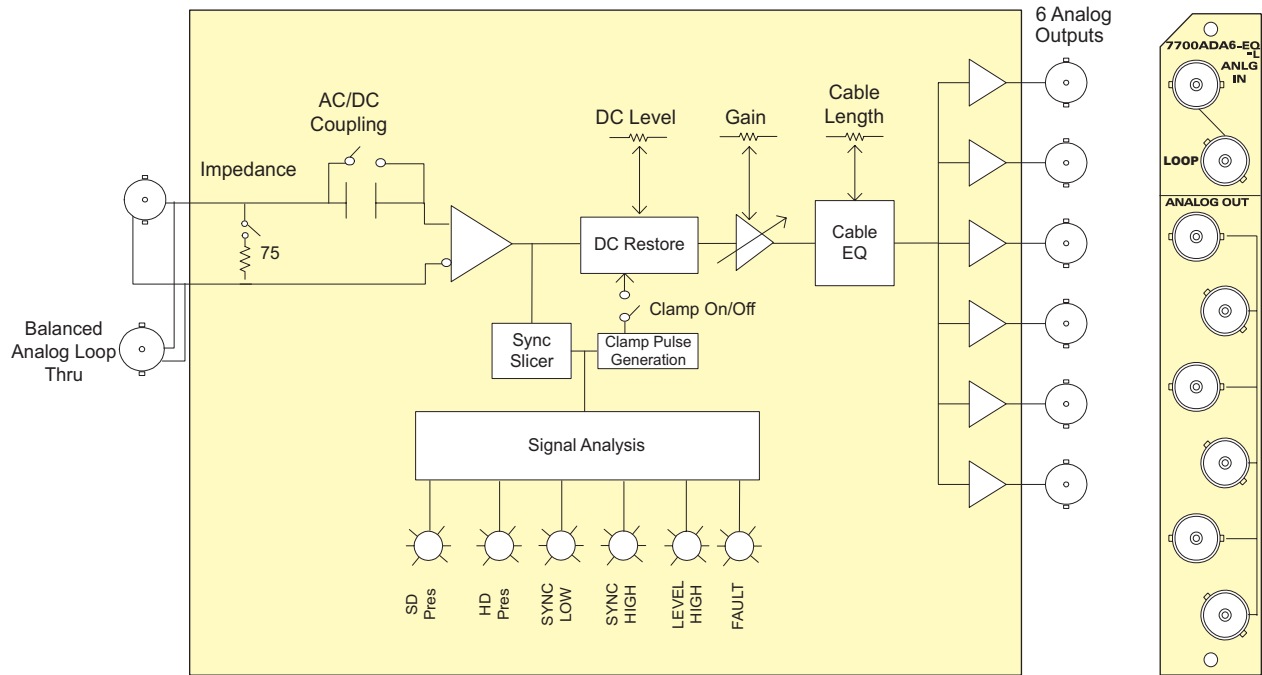
Equalizing Analog Video Distribution Amplifier with Loop Thru

The 7700ADA6-EQ-L is an equalizing 1x6 Analog Distribution Amplifier. The 7700ADA6-EQ-L features one balanced equalized input, one passive looping output and six outputs. The module has been designed to distribute a wide range of analog video signals. It can also distribute other pulses and signals that are less than 2V p-p.

The 7700ADA6-EQ-L occupies one card slot and can be housed in a 1RU frame which will hold up to 3 modules, a 3RU frame which will hold up to 15 modules, a 350FR portable frame which will hold up to 7 modules or a standalone enclosure that will hold 1 module.

►Features & Benefits

- Passive loop thru
- Gain control
- High common mode range and common mode rejection ratio (CMRR)
- Jumper selectable AC or DC coupling
- Jumper selectable fast or slow back porch clamp
- DC level control when clamp is enabled
- Cable equalizer adjustment range: 0 to 300m of 8281 or 1694A
- Consistent input impedance if card power is lost
- Module Status/Local Fault



►Specifications

Analog Video Input:

Standards: Any analog video format, up to 2V p-p and 30MHz bandwidth
 Connector: BNC per IEC 61169-8 Annex A
 Common mode range: > 6V p-p
 CMRR: > 70dB to 1kHz
 Signal amplitude: 2.5V p-p max
 Cable equalizer: 0 to 300m of Belden 8281 or 1694A cable
 Coupling: AC or DC (jumper selectable)
 Return loss: > 40dB to 10MHz, > 30dB to 30MHz
 Clamp range: > ±60mV
 Fast clamp attenuation of 60Hz: > 36dB

Analog Video Outputs:

Passive Loop: 1
 Number of Outputs: 6
 Connector: BNC per IEC 61169-8 Annex A
 Output impedance: 75Ω
 Gain control range: ±5dB
 DC level: < ±100mV (with DC Coupling active and back porch clamp disabled)
 Freq. Response: < 0.05dB no equalization (to 5.5MHz)
 Differential Gain: < 0.17% 0 to 300m
 Differential Phase: < 0.19° 0 to 300m
 C/L gain inequality: < ±0.1% for all cable lengths
 C/L Delay: < ±2ns
 Output isolation: > 42dB to 10MHz, > 32dB to 30MHz
 Output return loss: > 40dB to 30MHz
 Noise performance: < -78dB RMS NTC7 weighting
 < -70dB RMS 15kHz to 5.5MHz

Electrical:

Voltage: +12V DC
 Power: 1.2W
 EMI/RFI: Complies with FCC Part 15, Class A
 EU EMC Directive

Physical (number of slots):

350FR: 1
 7700FR-C: 1
 7800FR: 1

►Ordering Information

7700ADA6-EQ-L Analog Video Distribution Amplifier with Cable Equalization and Loop Thru

Ordering Options Rear Plate must be specified at time of order
 Eg: Model +3RU

Rear Plate Suffix
 +3RU 3RU Rear Plate for use with 350FR, 7700FR-C or 7800FR Multiframe
 +1RU 1RU Rear Plate for use with 7701FR Multiframe
 +SA Standalone Enclosure Rear Plate

Enclosures

350FR
7700FR-C
7800FR
7701FR
S7701FR

3RU Portable Multiframe which holds up to 7 single slot modules
 3RU Multiframe which holds up to 15 single slot modules
 3RU Multiframe which holds up to 15 single slot modules
 1RU Multiframe which holds up to 3 single or dual slot modules
 Standalone Enclosure