

The 500DA-L is a SD-SDI Reclocking Distribution Amplifier for use in the Evertz high density digital looping frame (the 500FR-L-D). The 500DA-L supports all data rates included in SMPTE 259M (143-360Mb/s) and SMPTE 344M (540Mb/s) as well as DVB-ASI. The 500DA-L features auto-equalized inputs with eight serial outputs. When inserted into the 500FR-L-D, a passive loop output is available to enable cascading of multiple DA cards. The passive loop is implemented on

the 500FR-L-D back-plane. As result, a failure of any single card or the removal any single card does not affect any other cards being used for signal distribution. Up to 16 500DA-L cards may be cascaded error free in the 500FR-L-D frame. The 500DA-L also features a re-clocker by-pass to support operation with non-standard data rates like SMPTE 310M and others.

► Features & Benefits

- Automatic equalization, rate detection and re-clocking for all SMPTE 259M (143-360Mb/s) and SMPTE 344M (540Mb/s) data rates
- Jumper selectable DVB-ASI mode of operation
- Jumper selectable non re-clocked mode for SMPTE 310M and other non-standard data rates
- Passive loop output when inserted into the 500FR-L-D
- Error free cascading of up to 16 modules within the 500FR-L-D
- Fully hot-swappable from front of frame with no BNC disconnect
- Independent isolated output drivers to ensure no cross channel loading effects (ie. no need to terminate unused outputs)
- Outputs maintain polarity from input to output for DVB-ASI applications
- Tally output on Frame Status bus upon loss of input signal
- VistaLINK® -capable for remote monitoring via SNMP (using VistaLINK® PRO) when installed in 500FR-L-D with 500FC VistaLINK® Frame Controller

Input

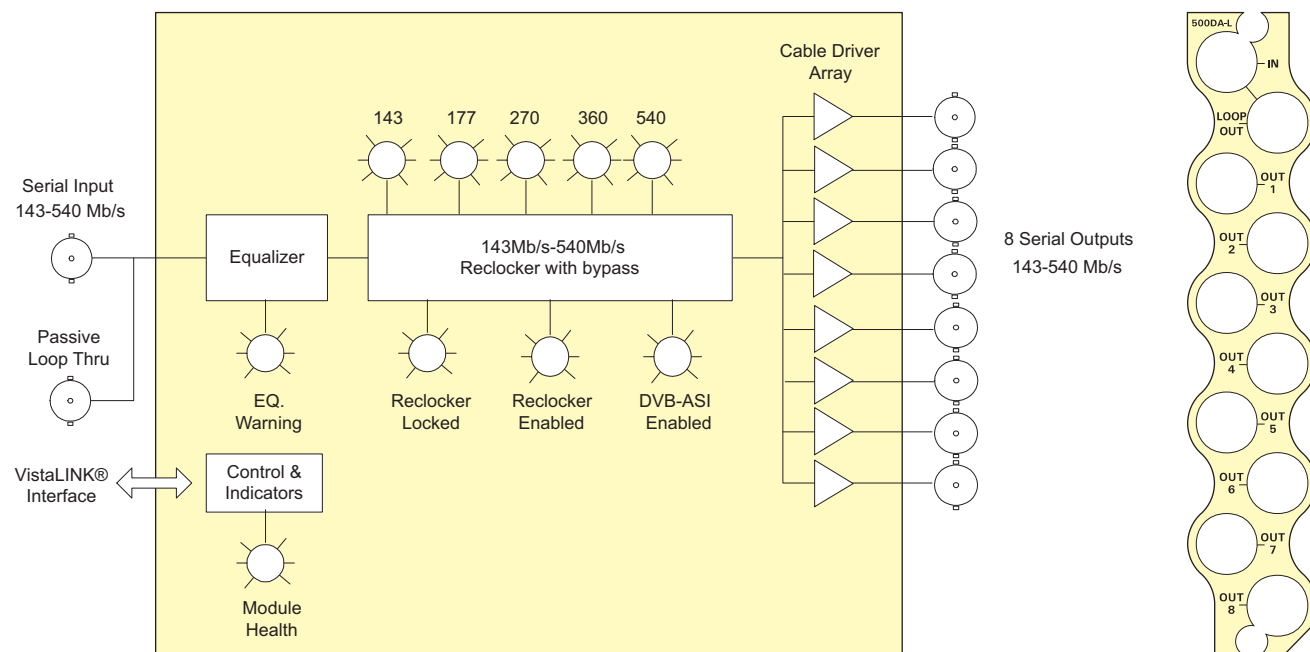
- SMPTE 259M (143-360Mb/s), SMPTE 344M (540Mb/s), DVB-ASI and SMPTE 310M (non-reclocked)
- Return Loss > 15dB to 540Mb/s
- Auto equalizing to 400m @ 270Mb/s (Belden 1694A)

Outputs

- 8 re-clocked outputs
- 1 passive loop out for cascading multiple cards in 500FR-L-D

Card Edge LEDs

- Reclocker rate
- DVB-ASI Enabled
- Reclocker enabled
- Max Equalization Warning
- Module Health Status



► Specifications

Serial Video Input: SMPTE 259M (143Mb/s-360Mb/s)
SMPTE 344M (540Mb/s)
SMPTE 310M (19.4Mb/s) - non reclocked DVB-ASI

Connector: BNC per IEC 61169-8 Annex A

Equalization: 1 400m @ 270Mb/s

Return Loss: > 15dB up to 540Mb/s

Serial Video Output:

Reclocked Outputs: 8
Passive Loop Outputs: 1

Connector: BNC per IEC 61169-8 Annex A

DC Offset: 0V ±0.5V

Rise and Fall Time: 200ps nominal

Return Loss: > 15dB up to 540Mb/s

Wideband Jitter: < 0.2 U

►►► Ordering Information

500DA-L SD-SDI Reclocking Distribution Amplifier with Loop Thru

Enclosures
500FR-L-D

exponent
Compact High Density Distribution Frame with Loop Thru (Digital)

