



# 7700VMDA, 7700VMDA-2Q

## SD-SDI Monitoring Reclocking Distribution Amplifier

The 7700VMDA Reclocking Distribution Amplifier provides inexpensive distribution and composite encoder monitoring of your SMPTE 259M (270MB/s) serial digital video signal. The 7700VMDA features an auto-equalized input with seven outputs that can be selected as either SDI or composite analog. The 7700VMDA-2Q has 2 channels, each with 3 selectable outputs, or it can be used as a single input DA with six outputs.

The 7700VMDA and 7700VMDA-2Q occupy one card slot each and can be housed in either a 1RU frame which will hold up to 3 modules, a 3RU frame which will hold up to 15 modules or a standalone enclosure which will hold 1 module.

### Features & Benefits

- Features independent isolated output drivers to ensure no cross channel loading effects (i.e. no need to terminate unused outputs)
- VistaLINK® capable offering remote control and configuration capabilities via SNMP (using VistaLINK® PRO, 9000NCP or 9000NCP2 Network Control Panel) is available when modules are used with the 3RU 7700FR-C frame and a 7700FC VistaLINK® Frame Controller

#### Input

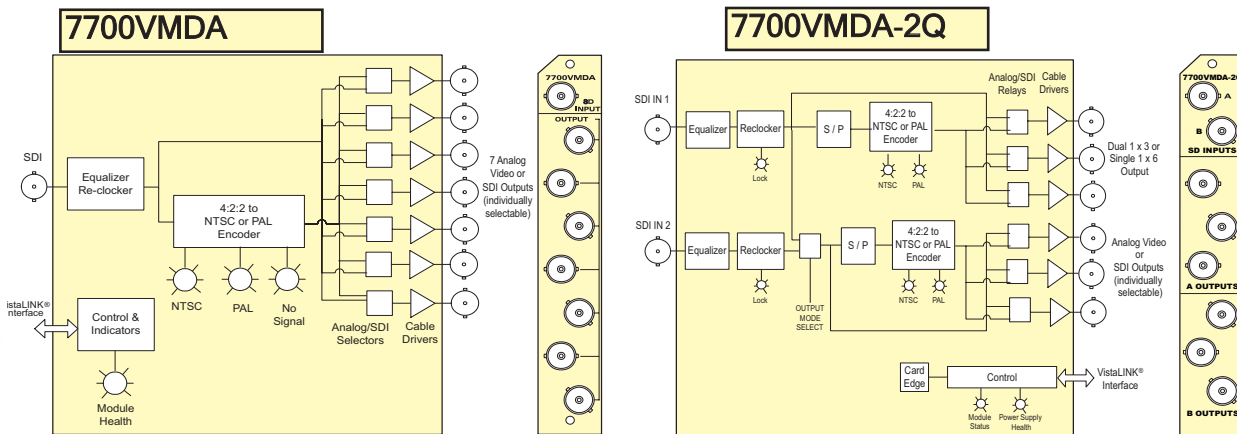
- Supports SMPTE 259M-C (270Mb/s) video with embedded audio
- Return loss > 15dB up to 540Mb/s
- 300m auto equalization at 270Mb/s (Belden 8281)

#### Outputs

- Selectable reclocked/composite encoder outputs
- Return loss > 15dB up to 540Mb/s
- Wideband jitter < 0.2 UI
- Passes embedded audio to SDI output

#### Card Edge LEDs

- Signal presence
- Module Health Status



### Specifications

#### Serial Video Input:

Standard: SMPTE 259M  
 Connector: BNC per IEC 60169-8 Amendment 2  
 Equalization: Automatic to 300m @ 270Mb/s with Belden 8281 (or equivalent)  
 Return Loss: > 15dB up to 540Mb/s  
 Embedded Audio: SMPTE 272M-A

#### Serial Video Output:

Number of Outputs: Up to 7 (jumper selectable) (7700VMDA)  
 3 per channel (7700VMDA-2Q)  
 Connector: BNC per IEC 60169-8 Amendment 2  
 Signal Level: 800mV nominal  
 DC Offset: 0V ±0.5V  
 Rise and Fall Time: 740ps nominal  
 Overshoot: < 10% of amplitude  
 Return Loss: > 15dB up to 540Mb/s  
 Wideband Jitter: < 0.2 UI

#### Analog Video Output:

Number of Outputs: Up to 7 (jumper selectable) (7700VMDA)  
 3 per channel (7700VMDA-2Q)  
 Standards: NTSC, SMPTE 170M if input is 525i/59.94  
 PAL-B ITU 624-4 if input is 625i/50  
 Connector: BNC per IEC 60169-8 Amendment 2  
 Signal Level: 1V p-p nominal  
 DC Offset: 0V ±0.1V  
 Return Loss: > 35dB up to 5MHz

#### Physical:

Number of Slots: 1

#### Electrical:

Voltage: +12V DC  
 Power: 6W  
 EMI/RFI: Complies with FCC Part 15, Class A EU EMC Directive

### Ordering Information

<b>7700VMDA</b>	Video Monitoring Reclocking DA, 1 channel, 7 outputs
<b>7700VMDA-2Q</b>	Video Monitoring Reclocking DA, 2 channels, 3 outputs per channel

#### Enclosures

<b>7700FR-C</b>	3RU Multiframe which holds up to 15 single slot modules
<b>7701FR</b>	1RU Multiframe which holds up to 3 single or dual slot modules
<b>S7701FR</b>	Standalone enclosure

**Ordering Options** Rear Plate must be specified at time of order  
 Eg: Model +3RU

#### Rear Plate Suffix

<b>+3RU</b>	3RU Rear Plate for use with 7700FR-C Multiframe
<b>+1RU</b>	1RU Rear Plate for use with 7701FR Multiframe
<b>+SA</b>	Standalone Enclosure Rear Plate