

7700R4X1-HD

HD/SD-SDI 4x1 Modular Router



The 7700R4x1-HD provides a convenient, low cost way to route high definition and standard definition serial digital signals. The 7700R4x1 can be used for 1.5Gb/s, 270Mb/s, 360Mb/s, 540Mb/s and DVB-ASI and 143Mb/s serial digital signals.

The module can also be used for SMPTE 310 (19.4Mb/s) signals with the internal reclocker turned off. The 7700R4x1-HD features auto-equalized inputs with two re-clocked outputs. The 7700R4x1-HD is housed in the Evertz 7700FR-C Multiframe which is available in a 3RU or a 1RU version.

Features & Benefits

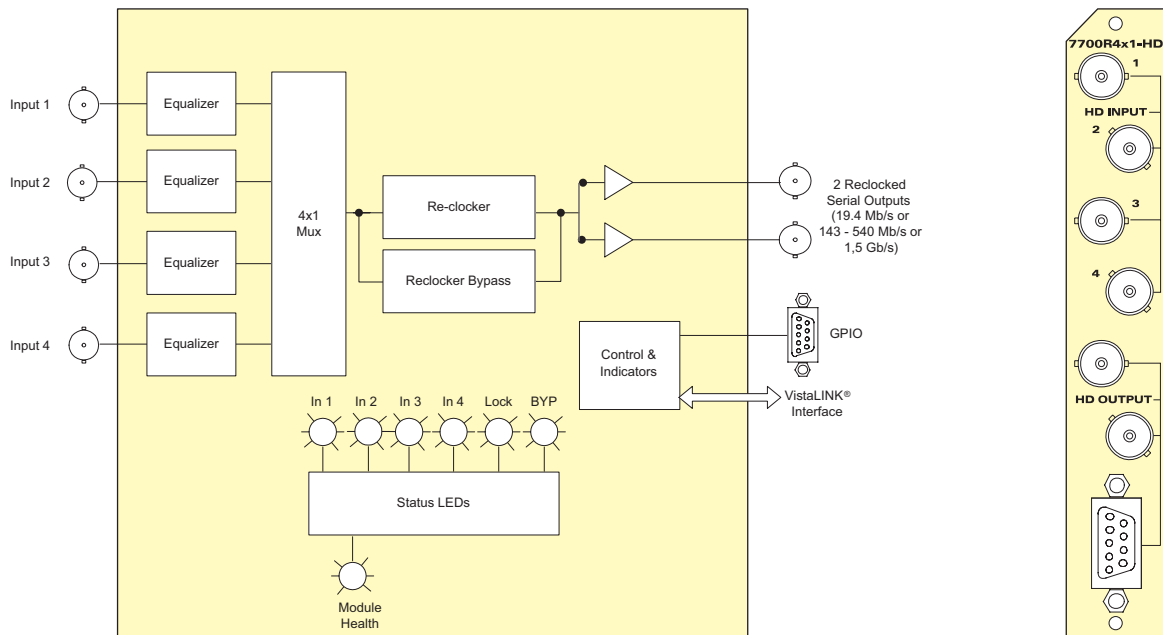
- Hot-swappable, front-loading modular 4x1 routing
- Full support for SMPTE 292M (1.5Gb/s), SMPTE 259M (270, 360, 143Mb/s) and SMPTE 344M (540Mb/s)
- DVB-ASI compatible with all outputs maintaining polarity from input to output
- Non-reclocking mode for SMPTE 310M (19.4Mb/s)
- Features independent isolated outputs to ensure no cross-channel loading effects (no need to terminate unused outputs)
- VistaLINK® capable for remote monitoring, control and configuration via SNMP
- VistaLINK® is available when modules are used with the 3RU 7700FR-C and a 7700FC VistaLINK® Frame Controller module in slot 1 of the frame
- LEDs for signal presence and module health

Input

- SMPTE 292M (1.5Gb/s), SMPTE 259M (270Mb/s, 360Mb/s, 143Mb/s), SMPTE 344M (540Mb/s) and DVB-ASI
- SMPTE 310M (19.4Mb/s) - non-reclocking mode
- Return Loss > 15dB up to 1.5Gb/s
- Automatic cable equalization up to 100m at 1.5Gb/s

Output

- 2 re-clocked outputs
- Return loss > 15dB up to 1.5Gb/s
- Wideband jitter < 0.2 UI



Specifications

Serial Video Input:

Standard: SMPTE 292M, 259M, 344M, DVB-ASI
 In Non-Reclock Mode: SMPTE 310M
 Number of Inputs: 4
 Connector: 1 BNC per IEC 60169-8 Amendment 2
 Equalization: Automatic to 100m @ 1.5Gb/s with Belden 1694 (or equivalent)
 Return Loss: > 15dB to 1.5Gb/s
 Wideband jitter: < 0.2 UI

Serial Video Outputs:

Number of Outputs: 2
 Standard: SMPTE 292M, 259M, 344M, DVB-ASI
 In Non-Reclock Mode: SMPTE 310M
 Signal Level: 800mV nominal

DC Offset: 0V ±0.5V
 Rise and Fall Time: 200ps nominal
 Overshoot: < 10% of amplitude
 Return Loss: > 15dB to 1.5Gb/s
 Wideband jitter: < 0.2 UI

General Purpose Inputs/Outputs:

Number of Inputs: 4
 Number of Outputs: 4
 Type: Opto-isolated, active low or high
 GPI: Internal pull-ups to +5 or +12V (jumper settable)
 GPO: Internal pull-ups to +3.3V
 Connector: Female High Density DB-15
 Signal Level: Closure to ground

Physical:

Number of Slots: 1

Electrical:

Voltage: +12V DC
 Power: 5W
 EMI/RFI: Complies with FCC Part 15, Class A
 EU EMC Directive

Ordering Information

7700R4x1-HD HD/SD-SDI 4x1 Modular Router

Ordering Options Rear Plate must be specified at time of order
 Eg: Model + 3RU

Rear Plate Suffix

+3RU 3RU Rear Plate for use with 7700FR-C Multiframe
+1RU 1RU Rear Plate for use with 7701FR Multiframe
+SA Standalone Enclosure Rear Plate

Enclosures

7700FR-C
7701FR
S7701FR

3RU Multiframe which holds up to 15 single slot modules
 1RU Multiframe which holds up to 3 single or dual slot modules
 Standalone enclosure

