

7700DA-AESB

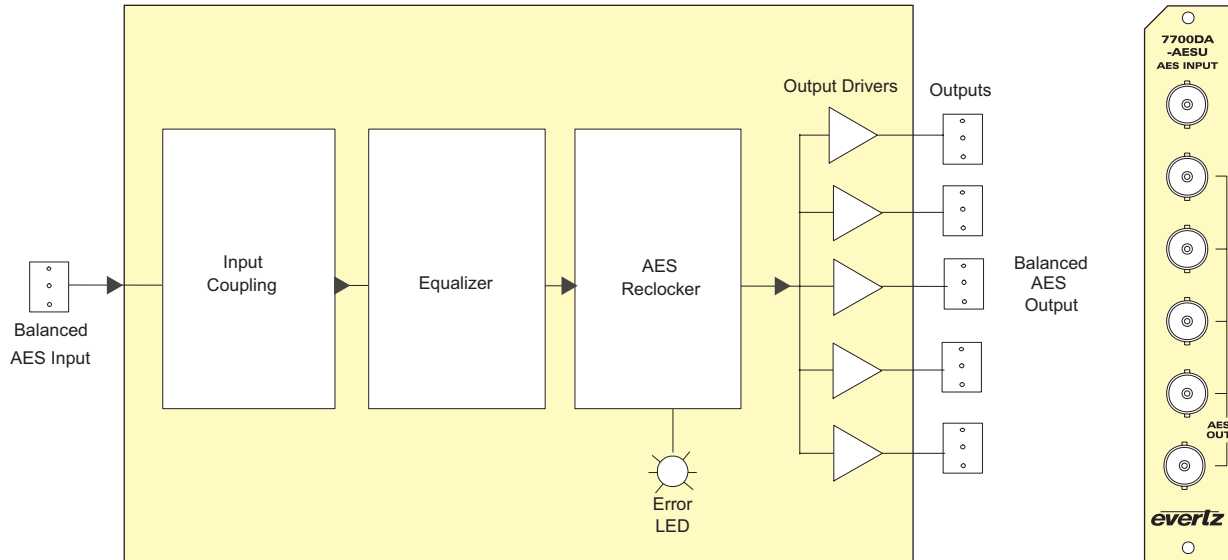
Auto Equalizing Balanced AES/EBU Distribution Amplifier

The 7700DA-AESB is a five output DA with auto equalizing input and reclocking for 110Ω balanced AES signals. The DA will automatically equalize AES signals on Belden 1800B cable when the drive signal is 7V p-p. The DA will reclock data with sampling frequencies of 32kHz, 44.1kHz, 48kHz and 96kHz.

The 7700DA-AESB card edge LED indicators provide quick and accurate assessment of the incoming signal integrity. The 7700DA-AESB also provides a contact closure output that can be configured using on-board jumpers to assert when an input error condition exists.

Features & Benefits

- AES3-1992 standard for AES audio on 110Ω twisted pair cable
- Transformer coupled 110Ω balanced input (selectable Hi-Z)
- Data reclocking provides jitter reduction
- Automatic equalization
- EQ and reclock provide extended cable length compensation
- Five 110Ω balanced outputs
- Error LED indication for input PLL out of lock, parity error or biphas coding error
- External indication of input error condition using contact closure output



Specifications

<p>AES Input: Standard: AES3-1992 Connector: 3-pin removable terminal strip Number of inputs: 1 Input Level: 2 to 7V p-p Coupling: Transformer Input Impedance: 110Ω (selectable Hi-Z) Return Loss: > 14dB 100kHz to 6MHz Equalization: Automatic to 300m with Belden 1800B (or equivalent) @ 48kHz AES signal Sampling Frequency: 32kHz, 44.1kHz, 48kHz and 96kHz</p>	<p>AES Output: Number of Outputs: 5 per card Reclocked Connector: 3-pin removable terminal strip Output Level: 5V p-p Output Impedance: 110Ω Return Loss: 30dB 100kHz to 6MHz</p>	<p>Electrical: Voltage: +12V DC Power: 1.8W EMI/RFI: Complies with FCC Part 15, Class A EU EMC Directive</p> <p>Physical: Number of Slots: 1</p>
---	---	--

Ordering Information

7700DA-AESB Auto Equalizing Balanced AES/EBU Distribution Amplifier

Ordering Options Rear Plate must be specified at time of order
Eg: Model +3RU

Rear Plate Suffix
+3RU 3RU Rear Plate for use with 7700FR-C Multiframe
+1RU 1RU Rear Plate for use with 7701FR Multiframe
+SA Standalone Enclosure Rear Plate

Enclosures
7700FR-C 3RU Multiframe which holds up to 15 single slot modules
7701FR 1RU Multiframe which holds up to 3 single or dual slot modules
S7701FR Standalone enclosure

3RU Multiframe which holds up to 15 single slot modules
1RU Multiframe which holds up to 3 single or dual slot modules
Standalone enclosure