



500ACO2-HD/SD

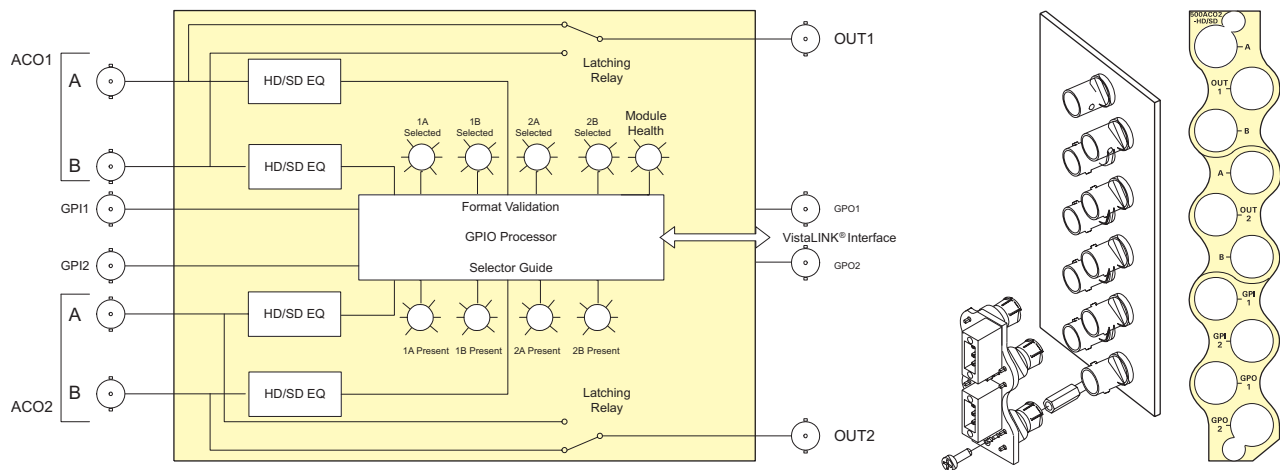
Dual HD/SD-SDI Digital Auto Signal 2x1 Changeover

The 500ACO2-HD/SD dual HD/SD Autochangeover is designed to provide extension to the 5600ACO for HD or SD SDI, DVB-ASI, SMPTE 310M, AES audio, bi-level/tri-level syncs and NTSC/PAL video. The unit can also be operated as a standalone changeover unit with two independent 2X1 switchers. The 500ACO uses latching relays to ensure maximum reliability and minimal disruption in the event of any failure.

The 500ACO2-HD/SD is housed in the 500FR **exponent** frame that will hold up to 16 modules.

Features & Benefits

- Auto detection of six signal types
- Five modes of operation (including VistaLINK®)
- Auto changeover - two standalone auto changeovers or two link changeovers
- Manual DIP switch control - two independently controlled 2x1 switchers
- GPI Control - two independently GPI controlled 2x1 switchers
- ACO Extension - slave unit of the 5600ACO (requires 5600ACO firmware version 1.2 or higher)
- Support for VistaLINK® monitoring and control
- Fully hot-swappable from front of frame with no BNC disconnect required
- Tally output on Frame Status bus upon loss of input signal for quality monitoring
- Latching relays maintain the current path on loss of power
- VistaLINK® - capable for remote monitoring via SNMP (using VistaLINK® PRO) when installed in 500FR frame with 500FC VistaLINK® Frame Controller



Specifications

Serial Video Input:

Standards: SMPTE 292M, SMPTE 259M-A, B, C, D (143 to 540 Mb/s), DVB-ASI, bi-level/tri-level syncs or NTSC/PAL video
 Connector: 4 BNC per IEC 60169-8 Amendment 2
 Max. Cable Length: 100m of Belden 1694A or equivalent cable combined input and output
 Return Loss: 10dB up to 1.5Gb/s

Serial Video Outputs:

Number of Outputs: 2 passive relay outputs
 Connector: BNC per IEC 60169-8 Amendment 2
 Max. Cable Length: 100m of Belden 1694A or equivalent cable combined input and output
 DC Offset: 0V ±0.5V
 Return Loss: 10dB up to 1.5Gb/s

AES Input:

Standard: AES-1992
 Number of Inputs: 1
 Connector: 3-pin removable terminal strip
 Level: 2V to 7V p-p
 Coupling: Transformer
 Impedance: 110Ω
 Return Loss: > 14dB 100kHz to 6MHz
 Equalization: Automatic to 300m with Belden 1800B (or equivalent) @ 48kHz AES signal
 Sampling Frequency: 32kHz, 44.1kHz, 48kHz and 96kHz

AES Output:

Type: Balanced AES reclocked
 Number of Outputs: 4
 Connector: 3-pin removable terminal strip (screwdown adapter module included)
 Level: 5V p-p
 Impedance: 110Ω
 Return Loss: > 30dB 100kHz to 6MHz

General Purpose Inputs and Outputs:

Type: Inputs: Opto-isolated input with internal pull-up to +5V
 Outputs: Normally 10K internal pull-up to +5V Ground to rear panel when relay is in active position
 Connector: Two 3-pin terminal blocks with one ground each
 Signal Level: +5V nominal

Physical:

Number of slots: 1

Electrical:

Voltage: +12V DC
 Power: 6W
 EMI/RFI: Complies with FCC Part 15 Class A EU EMC Directive

Ordering Information

500ACO2-HD/SD Dual HD/SD-SDI Digital Auto Signal (2x1) Changeover

Enclosures
500FR
S501FR

exponent
 Compact High Density Distribution Frame
 Standalone enclosure