

SDI Monitoring Reclocking Distribution Amplifier



Model 7700VMDA/7700VMDA-2Q

The 7700VMDA Reclocking Distribution Amplifier provides inexpensive distribution and composite encoder monitoring of your SMPTE 259M (270MB/s) serial digital video signal. The 7700VMDA features an auto-equalized input with seven outputs that can be selected as either SDI or composite analog. The 7700VMDA-2Q has 2 channels, each with 3 selectable outputs. The 7700VMDA, in conjunction with the 7710DCDA-HD provides an upgrade path for monitoring future HD SDI signals without having to re-wire your installation.

The 7700VMDA occupies one card slot and can be housed in either a 1RU frame which will hold up to 3 modules, a 3RU frame which will hold up to 15 modules or a standalone enclosure which will hold 1 module.

Features

- Features independent isolated output drivers to ensure no cross channel loading effects (i.e. no need to terminate unused outputs)

Card Edge LEDs:

- Signal presence
- Module Health Status

Input:

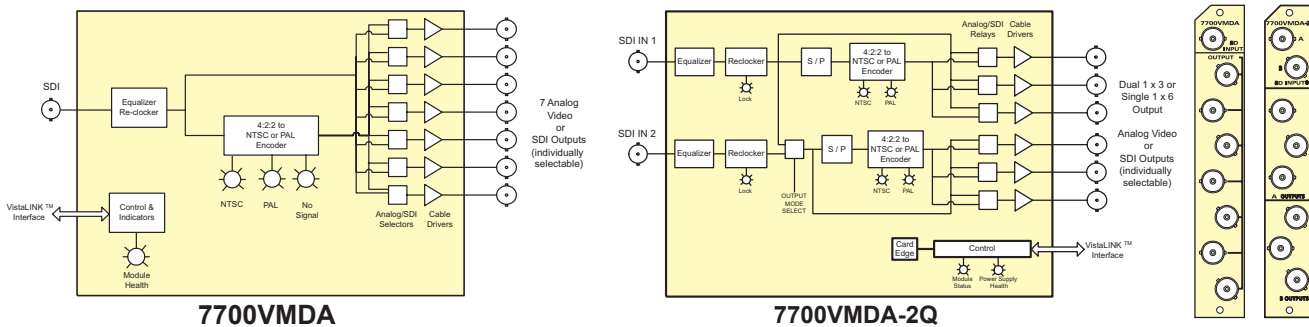
- SMPTE 259M
- Return loss > 15dB up to 540Mb/s
- 300m auto eq. at 270Mb/s (Belden 8281)

Outputs:

- Selectable reclocked/composite encoder outputs
- Return loss > 15dB up to 540Mb/s
- Wideband jitter < 0.2 UI

- VistaLINK™ -enabled offering remote control and configuration capabilities via SNMP (using VistaLINK™ PRO, 9000NCP or 9000NCP2 Network Control Panel) is available when modules are used with the 3RU 7700FR-C frame and a 7700FC VistaLINK™ Frame Controller

7700VMDA/7700VMDA-2Q Block Diagrams



Specifications

Serial Video Input:

- Standard:** SMPTE 259M
Connector: BNC per IEC 60169-8 Amendment 2
Equalization: Automatic to 300m @ 270Mb/s with Belden 8281 (or equivalent)
Return Loss: > 15dB up to 540Mb/s

Serial Video Output:

- Number of Outputs:** Up to 7 (jumper selectable)(7700VMDA)
 3 per channel (7700VMDA-2Q)
Connector: BNC per IEC 60169-8 Amendment 2
Signal Level: 800mV nominal
DC Offset: 0V ± 0.5V
Rise and Fall Time: 740ps nominal
Overshoot: <10% of amplitude
Return Loss: >15 dB up to 540Mb/s
Wideband Jitter: <0.2 UI

Analog Video Output:

- Number of Outputs:** Up to 7 (jumper selectable)(7700VMDA)
 3 per channel (7700VMDA-2Q)
Standards: NTSC, SMPTE 170M if input is 525i/59.94
 PAL-B ITY 624-4 if input is 625i/50
Connectors: BNC per IEC 60169-8 Amendment 2
Signal Level: 1 V p-p nominal
DC Offset: 0V ±0.1V
Return Loss: > 35 dB up to 5 MHz

Physical:

- Number of Slots:** 1

Electrical:

- Voltage:** +12VDC
Power: 6 Watts
EMI/RFI: Complies with FCC Part 15, Class A
 EU EMC Directive

Ordering Information:

- 7700VMDA** Video Monitoring Reclocking DA, 1 channel, 7 outputs
7700VMDA-2Q Video Monitoring Reclocking DA, 2 channels, 3 outputs per channel

Ordering Options

- Rear Plate must be specified at time of order
 Eg: Model + 3RU

Rear Plate Suffix

- +3RU** 3RU Rear Plate for use with 7700FR-C Multiframe
+1RU 1RU Rear Plate for use with 7701FR Multiframe
+SA Standalone Enclosure Rear Plate

Enclosures:

- 7700FR-C** 3RU Multiframe which holds 15 modules
7701FR 1RU Multiframe which holds 3 modules
S7701FR Standalone enclosure