

# HD 4 x 1 Router

## Model 7700R-4x1-HD

The 7700R-4x1-HD is a 4x1 router for the 7700FR with a 4 output DA on the output buss. The DA's features four auto-equalized inputs with four or reclocked outputs. The 7700R-4x1-HD is housed in the Evertz Multiframe, which is available in either a 3RU or 1RU version. The router has been designed to reclock at 1.5Gb/s. However, in non-reclocking mode it can also be used as a SMPTE 310M, DVB-ASI, M2S or SMPTE 259M distribution product.

## Features

- Reclocking mode for SMPTE 292M (1.5 Gb/s) signals
- Non-reclocking mode for SMPTE 310M (nominal 19.4 Mb/s), SMPTE 259M, DVB-ASI or M2S
- Tally output upon loss of signal for quality monitoring

### Status LEDs:

- Signal presence
- Module Health Status

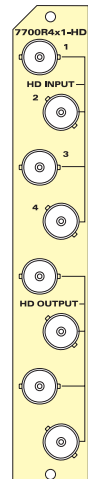
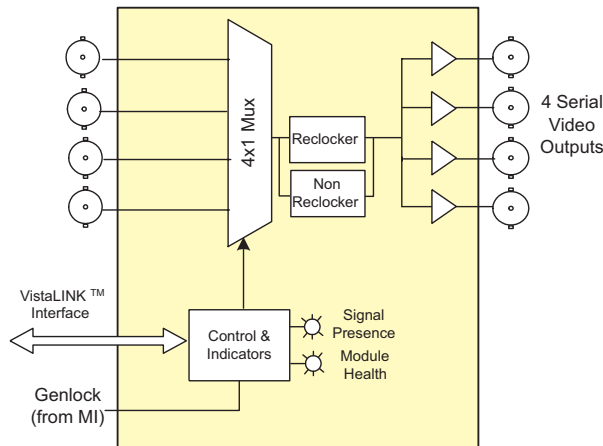
### Input:

- SMPTE 292M (1.5 Gb/s) - Reclocking mode
- SMPTE 310M/259M, M2S or DVB-ASI - Non-reclocking mode
- Auto equalization to 130m (Belden 1694)

### Output:

- 4 reclocked outputs
- Wideband jitter <0.2UI

## 7700R-4x1-HD Block Diagram



## Specifications

### Serial Video Input:

- Standard:** SMPTE 292M  
**In Non-Reclock Mode:** SMPTE 310M, SMPTE 259M-A, B, C, D, DVB-ASI or M2S
- Number of Inputs:** 4  
**Connector:** 1 BNC per IEC 60169-8 Amendment 2  
**Equalization:** Automatic to 100m @ 1.5Gb/s with Belden 1694 (or equivalent)  
**Return Loss:** >15dB to 1.0 Gb/s, >12db up to 1.5 Gb/s

### Serial Video Outputs:

- Number of Outputs:** 4  
**Standard:** SMPTE 292M  
**In Non-Reclock Mode:** SMPTE 310M, SMPTE 259M-A, B, C, D, M2S, DVB-ASI
- Signal Level:** 800mV nominal  
**DC Offset:** 0V ±0.5V  
**Rise and Fall Time:** 200ps nominal  
**Overshoot:** <10% of amplitude  
**Return Loss:** >15dB to 1.0 Gb/s, >12db up to 1.5 Gb/s]
- Wideband jitter:** <0.2UI

### Physical:

- Number of Slots:** 1

### Electrical:

- Voltage:** + 12V DC  
**Power:** 5 Watts  
**EMI/RFI:** Complies with FCC Part 15, Class A  
EU EMC Directive

### Ordering Information:

- 7700R-4x1-HD** HD 4x1 Router

### Ordering Options

- Rear Plate must be specified at time of order  
Eg: Model + 3RU

### Rear Plate Suffix

- +3RU** 3RU Rear Plate for use with 7700FR-C Multiframe  
**+1RU** 1RU Rear Plate for use with 7701FR Multiframe  
**+SA** Standalone Enclosure Rear Plate

### Enclosures:

- 7700FR-C** 3RU Multiframe which holds 15 modules  
**7701FR** 1RU Multiframe which holds 3 modules  
**S7701FR** Standalone enclosure