

## RadioCom<sup>TM</sup>

The APS-1 is a 2:1 Antenna Splitter or Combiner. This is a great solution to combine or distribute simple 2-up system set-ups of BTR-800 or BTR-700. Provided with this Rep Bulletin are examples of system setups utilizing the APS-1 with **RadioCom<sup>TM</sup>** BTR-800 and BTR-700 systems.

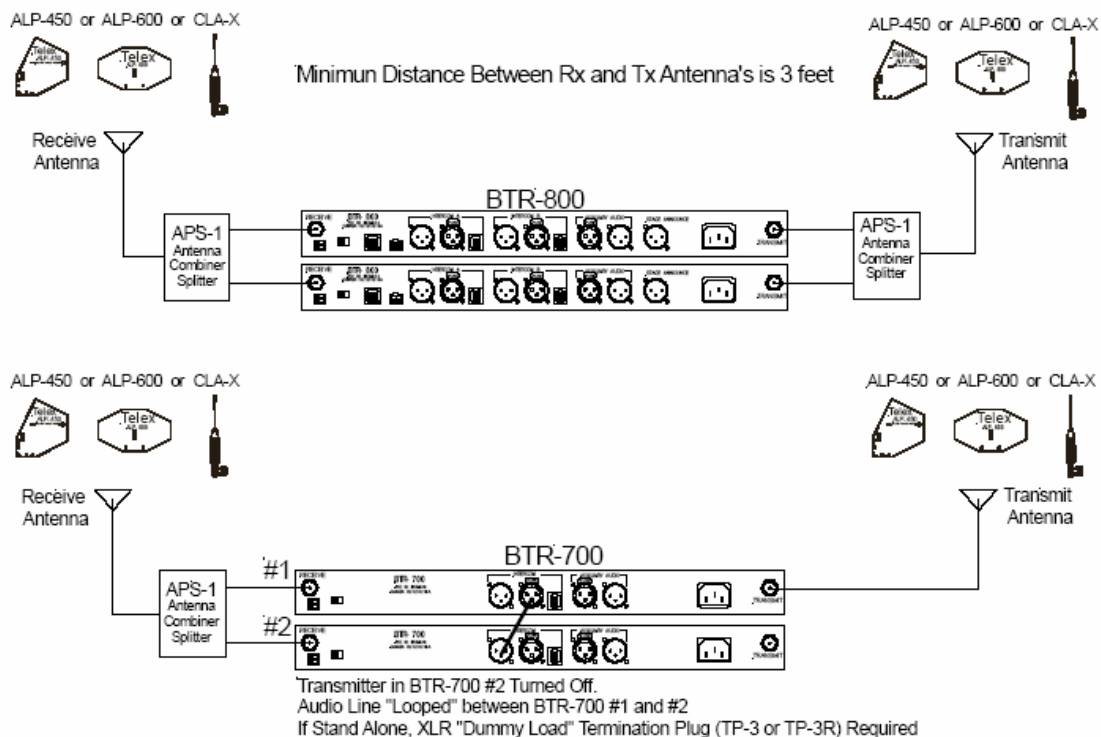
The APS-1 2:1 Antenna Splitter/Combiner offers the following features:

- Small Size, approximately 2 inches square
- Convenient TNC Connectors (NO Coaxial Adapters Required!)
- Signal Loss: -3.5dB
- Frequency Range: 100 MHz to 900 MHz (**Covers ALL Frequency Bands of BTR-800 and BTR-700**)
- Isolation: 23 dB Typical
- **P/N 879889**

List price: 220 Euro, excluding VAT, FOB Straubing



## RadioCom™ 700/800 Remote Antenna Systems



Part #	Model #	Description
<b>Antenna's</b>		
870658-X	CLA-X (Frequency Select)	½ Wave Omni Directional Antenna (Supplied with BTR-800 and BTR-700)
71138000	AB-2	Mounting Bracket for CLA Antenna (1 AB-2 is required for each CLA to be mounted remotely)
71147000	ALP-450	Directional Log Periodic Antenna (450-900 MHz)
878896	ALP-600	Bi-Directional Log Periodic Antenna (520-760 MHz)
<b>Coax</b>		
71151100	CXU-100	100' 50 ohm Low Loss Coax Cable w/TNC M
71151075	CXU-75	75' 50 ohm Low Loss Coax Cable w/TNC M
71151050	CXU-50	50' 50 ohm Low Loss Coax Cable w/TNC M
71151025	CXU-25	25' ohm Low Loss Coax Cable w/TNC M
691459-8	CXU-2	2' 50 ohm Low Loss Coax Cable w/TNC M
<b>Antenna Splitter</b>		
APS-1	879889	2 to 1 Antenna Splitter/Combiner w/TNC F