

Auto Equalizing Unbalanced AES/EBU Distribution Amplifier

Model 7700DA-AESU

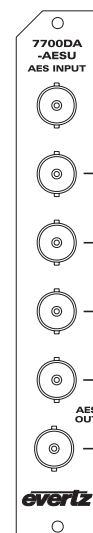
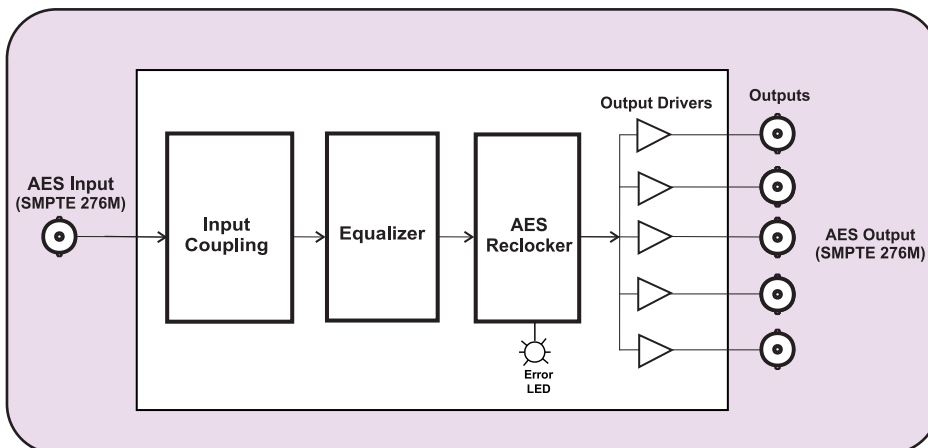
The 7700DA-AESU is a five output reclocking and auto equalizing DA for 75Ω unbalanced AES signals. The DA will automatically equalize AES signals on Belden 1694A coax to 1500m. The DA will reclock data with sampling frequencies of 32kHz, 44.1kHz, 48kHz and 96kHz.

The 7700DA-AESU card edge LED indicators provide quick and accurate assessment of the incoming signal integrity. The 7700DA-AESU also provides a contact closure output that can be configured using on-board jumpers to assert when an input error condition exists.

Features

- SMPTE 276M standard for AES audio on 75Ω coax
- Transformer coupled 75Ω unbalanced input (selectable Hi-Z)
- Data reclocking provides jitter reduction
- Automatic equalization
- EQ and reclock provide extended cable length compensation (>1500m)
- Five 75Ω coax outputs
- Error LED indication for input PLL out of lock, parity error or biphase coding error
- External indication of input error condition using contact closure output

7700DA-AESU Block Diagram



Specifications

AES Input:

Standard:	SMPTE 276M (jumper selectable)
Number of Inputs:	1
Connector:	BNC input per IEC 169-8
Input Level:	1V p-p
Coupling:	Transformer
Input Impedance:	75Ω (Selectable Hi-Z)
Return Loss:	25dB at 100kHz to 6MHz
Equalization:	Automatic to 1500m with Belden 1694A (or equivalent) @ 48kHz AES signal
Sampling Frequency:	32kHz, 44.1kHz, 48kHz and 96kHz

AES Output:

Number of Outputs:	5 Per Card Reclocked
Connector:	BNC per IEC 169-8
Output Level:	1V p-p
Output Impedance:	75Ω
Return Loss:	30 dB

Physical:

Number of Slots:	1
-------------------------	---

Electrical:

Voltage:	+12VDC
Power:	1.2 Watts
EMI/RFI:	Complies with FCC Part 15 Class A Complies with EU EMC Directive

Ordering Information:

7700DA-AESU	Auto Equalizing Unbalanced AES/EBU Distribution Amplifier
--------------------	---

Ordering Options

Rear Plate must be specified at time of order
Eg: Model + 3RU

Rear Plate Suffix

+3RU	3RU Rear Plate for use with 7700FR-C Multiframe
+1RU	1RU Rear Plate for use with 7701FR Multiframe
+SA	Standalone Enclosure Rear Plate

Enclosures:

7700FR-C	3RU Multiframe which holds 15 modules
7701FR	1RU Multiframe which holds 3 modules
S7701FR	Standalone enclosure