

Combo HD & SD Digital Auto Signal 2x1 Change Over

Model 500ACO2-HD/SD

The Evertz 500ACO2-HD/SD is a dual HD/SD SDI autochangeover. It serves as an SDI extension to our 5600ACO.

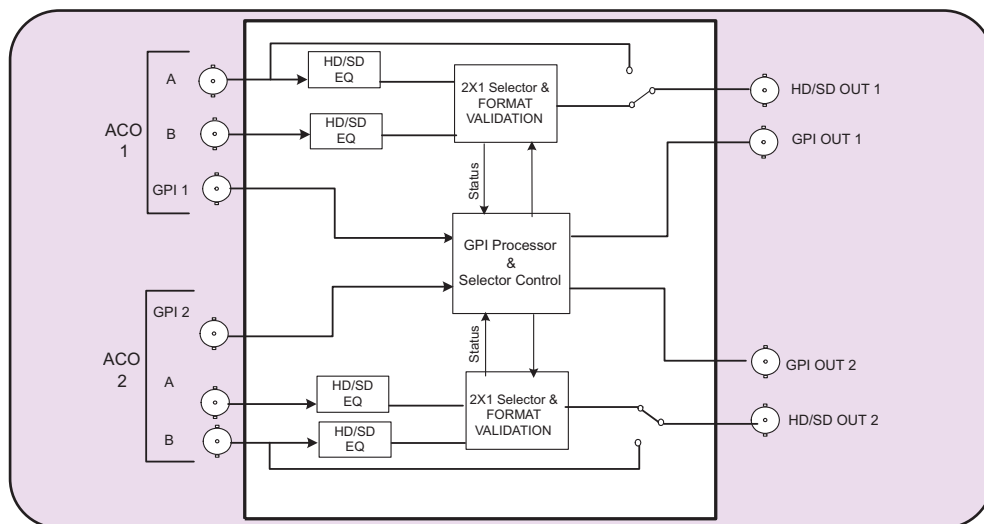
This device is housed in the 3RU 500FR *exponent* frame that will hold up to 16 modules.

3

Features

- Extension of the 5600ACO for HD or SD SDI
- Can be operated as 2 independent 2x1 via GPI control
- Can be operated as 2 standalone autochangeover's

500ACO2-HD/SD Block Diagram



Specifications

Serial Video Input:

Standard: SMPTE 259-C (270Mb/s)
Connector: BNC input per IEC 169-8
Equalization: Automatic to 200m @ 270Mb/s, 75m @ 1.5Gbp/s
Belden 1694A
Return Loss: > 15dB up to 270Mb/s

Serial Video Output:

Standard: SMPTE 259-C (270Mb/s)
Number of Outputs: 1
Connector: BNC per IEC 169-8
Signal Level: 800mV nominal
DC Offset: 0V ± 0.5V
Overshoot: <10% of amplitude
Wideband Jitter: <0.2 UI

Physical:

Number of Slots: 1

Electrical:

Voltage: +12VDC
Power: 6 Watts
EMI/RFI: Complies with FCC Part 15 Class A
EU EMC Directive

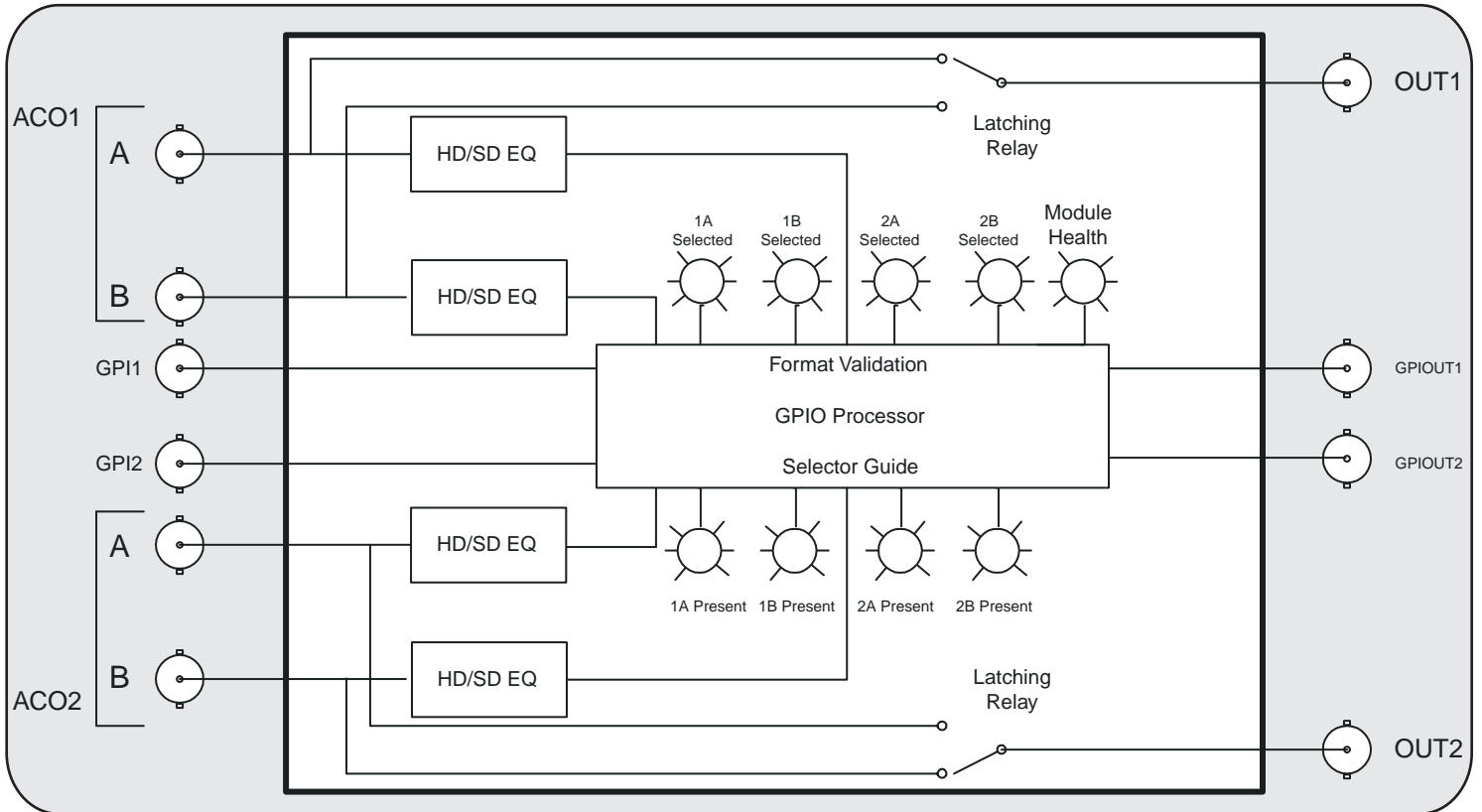
Ordering Information:

500ACO2-HD/SD Combo HD & SD Digital Auto Signal Change Over

Enclosures:

500FR *exponent*
Compact High Density Distribution Frame
S501FR Standalone enclosure

500ACO2-HD/SD Block Diagram



500ACO2-HD/SD Rear Panel

