

7700DA-AESB

Autoequalizing Balanced AES Distribution Amplifier



The 7700DA-AESB is a five output DA with auto equalizing input and reclocking for 110W balanced AES signals. The DA will automatically equalize AES signals on Belden 1800B cable when the drive signal is 7V p-p. The DA will reclock data with sampling frequencies of 32KHz, 44.1KHz, 48KHz and 96KHz.

The 7700DA-AESB card edge LED indicators provide quick and accurate assessment of the incoming signal integrity. The 7700DA-AESB also provides a contact closure output that can be configured using on-board jumpers to assert when an input error condition exists.

Features

- AES3-1992 standard for AES audio on 110 Ω twisted pair cable
- Transformer coupled 110 Ω balanced input (selectable Hi-Z)
- Data reclocking provides jitter reduction
- Automatic equalization
- Five 110 Ω balanced outputs
- EQ and reclock provide extended cable length compensation
- Error LED indication for input PLL out of lock, parity error or biphase coding error
- External indication of input error condition using contact closure output

Specifications

AES Input	
Standards	AES3-1992
Number of Outputs	1
Input Level	2 to 7V p-p
Coupling	Transformer
Input Impedance	110 Ω (Selectable Hi-Z)
Return Loss	30dB
Equalization	Automatic to 300m with Belden 1800B @ 48KHz AES signal
Sampling Frequency	32KHz, 44.1KHz, 48KHz and 96KHz

AES Output:	
Number of Outputs:	5 per card reclocked
Connector:	BNC per IEC 169-8
Output Level:	5V p-p
Output Impedance:	110 Ω
Return Loss:	30 dB

Electrical	
Voltage:	+12V DC
Power:	1.8 Watts
Safety:	Complies with EU Safety Directive
EMI/RFI:	Complies with FCC Part 15 Class A EU EMC Directive

Physical

Number of Slots:	1
-------------------------	---

Ordering Information

7700DA-AESB: Autoequalizing Balanced AES/EBU Distribution Amplifier

Ordering Options:

Rear plate must be specified at time of order

Eg: **Model +3RU**

Rear Plate Suffix:

+3RU: 3RU rear plate for use with 7700FR-C Multiframe

+1RU: 1RU rear plate for use with 7701FR Multiframe

+SA: Standalone Enclosure Rear Plate

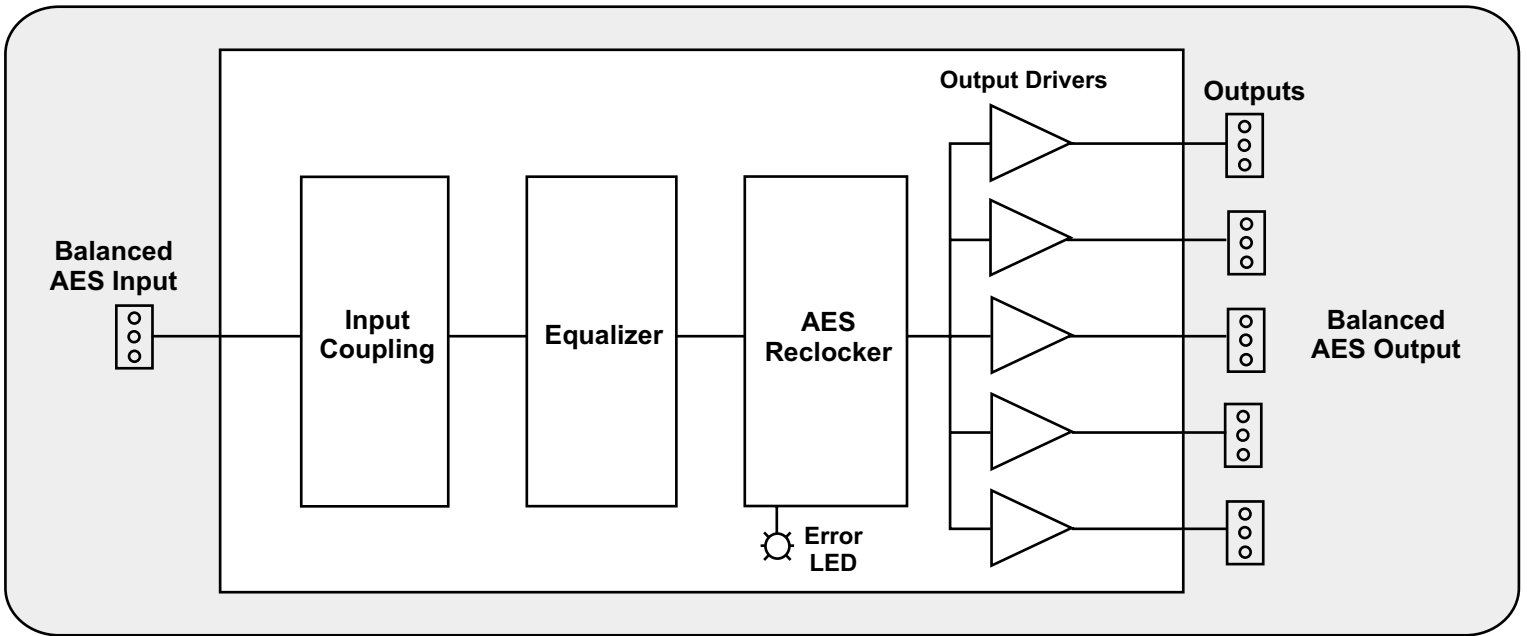
Enclosures:

7700FR-C: 3RU Multiframe which holds 15 modules

7701FR: 1RU Multiframe which holds 3 modules

S7701FR: Standalone Enclosure

7700DA-AESB Block Diagram



7700DA-AESB Rear Panel

