

# 7700DA-AESU

## Autoequalizing Unbalanced AES/EBU Distribution Amplifier



The 7700DA-AESU is a five output reclocking and auto equalizing DA for 75W AES signals. The DA will automatically equalize AES signals on Belden 1694A coax to 1500m. The DA will reclock data with sampling frequencies of 32KHz, 44.1KHz, 48KHz and 96KHz.

The 7700DA-AESU card edge LED indicators provide quick and accurate assessment of the incoming signal integrity. The 7700DA-AESU also provides a contact closure output that can be configured using on-board jumpers to assert when an input error condition exists.

### Features

- SMPTE 276M standard for AES audio on 75 $\Omega$  coax
- Transformer coupled 75 $\Omega$  unbalanced input (selectable Hi-Z)
- Data reclocking provides jitter reduction
- Automatic equalization
- Five 75 $\Omega$  coax outputs
- EQ and reclock provide extended cable length compensation (>1500m)
- Error LED indication for input PLL out of lock, parity error or biphase coding error
- External indication of input error condition using contact closure output

### Specifications

#### AES Input

<b>Standards</b>	SMPTE 276M (jumper selectable)
<b>Number of Inputs</b>	1
<b>Connector</b>	BNC per IEC 169-8
<b>Input Level</b>	1V p-p
<b>Coupling</b>	Transformer
<b>Input Impedance</b>	75 $\Omega$ (Selectable Hi-Z)
<b>Return Loss</b>	30dB
<b>Equalization</b>	Automatic to 1500m with Belden 1694A @ 48KHz AES signal
<b>Sampling Frequency</b>	32KHz, 44.1KHz, 48KHz and 96KHz

#### AES Output:

<b>Number of Outputs:</b>	5 per card reclocked
<b>Connector:</b>	BNC per IEC 169-8
<b>Output Level:</b>	1V p-p
<b>Output Impedance:</b>	75 $\Omega$
<b>Return Loss:</b>	30 dB

#### Electrical

<b>Voltage:</b>	+12V DC
<b>Power:</b>	1.2 Watts
<b>Safety:</b>	Complies with EU Safety Directive
<b>EMI/RFI:</b>	Complies with FCC Part 15 Class A EU EMC Directive

#### Physical

**Number of Slots:** 1

**Ordering Information**

**7700DA-AESU:** Autoequalizing unbalanced AES/EBU Distribution Amplifier

**Ordering Options:**

Rear plate must be specified at time of order

Eg: **Model +3RU**

**Rear Plate Suffix:**

**+3RU:** 3RU rear plate for use with 7700FR-C Multiframe

**+1RU:** 1RU rear plate for use with 7701FR Multiframe

**+SA:** Standalone Enclosure Rear Plate

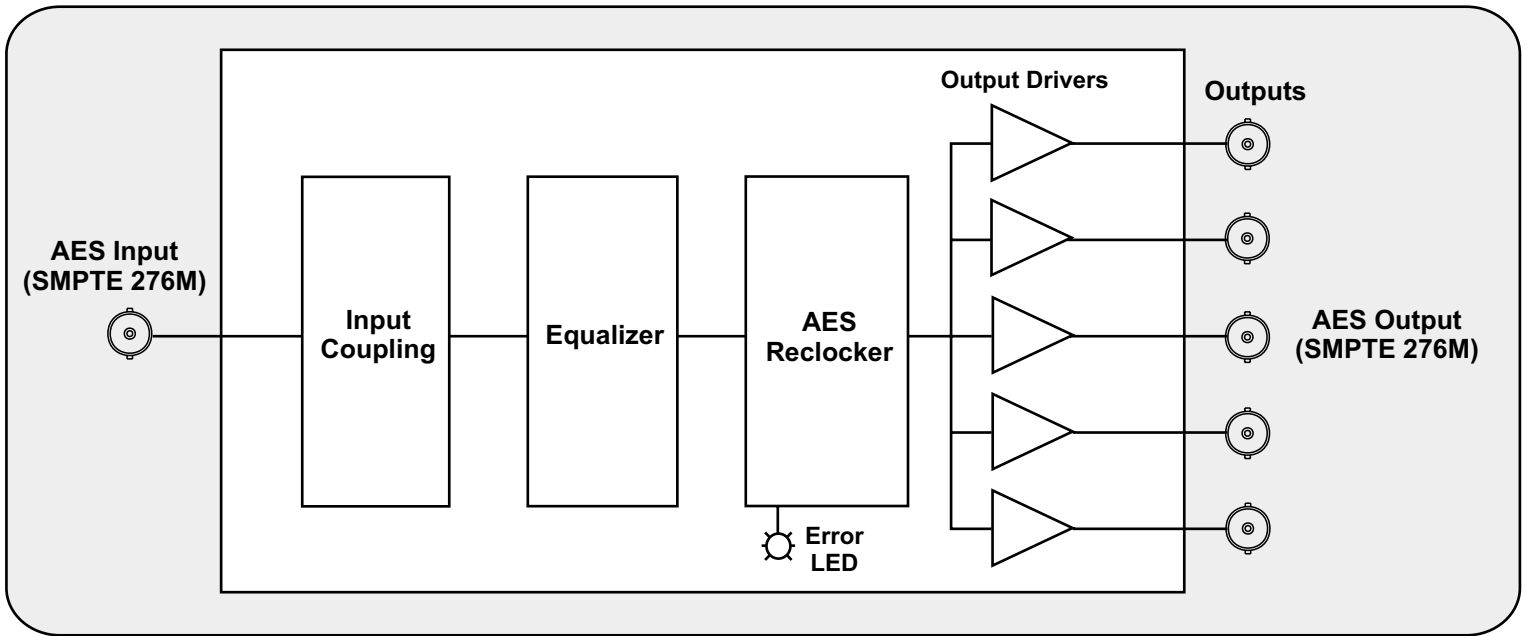
**Enclosures:**

**7700FR-C:** 3RU Multiframe which holds 15 modules

**7701FR:** 1RU Multiframe which holds 3 modules

**S7701FR:** Standalone Enclosure

## 7700DA-AESU Block Diagram



## 7700DA-AESU Rear Panel

