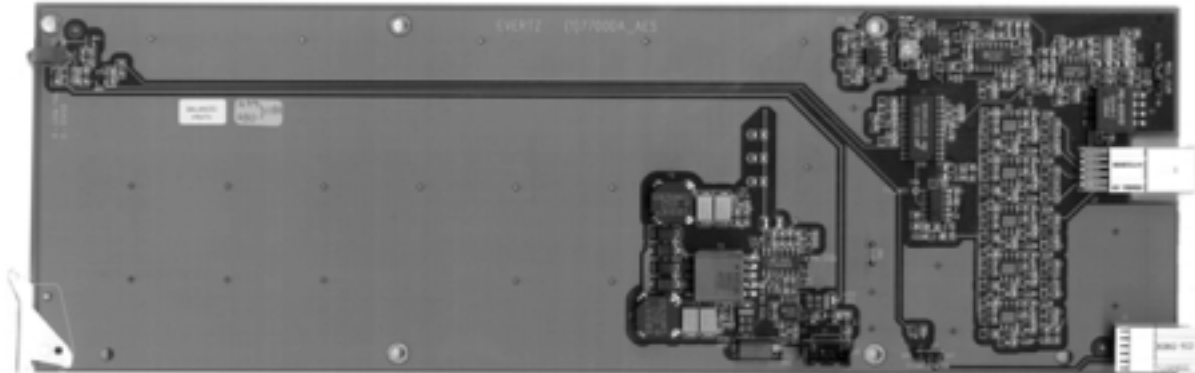


# Autoequalizing Balanced AES Distribution Amplifier

Model 7700DA-AESB



The 7700DA-AESB is a five output DA with auto equalizing input and reclocking for 110 $\Omega$  balanced AES signals. The DA will automatically equalize AES signals on Belden 1800B cable when the drive signal is 7V p-p. The DA will reclock data with sampling frequencies of 32KHz, 44.1KHz, 48KHz and 96KHz.

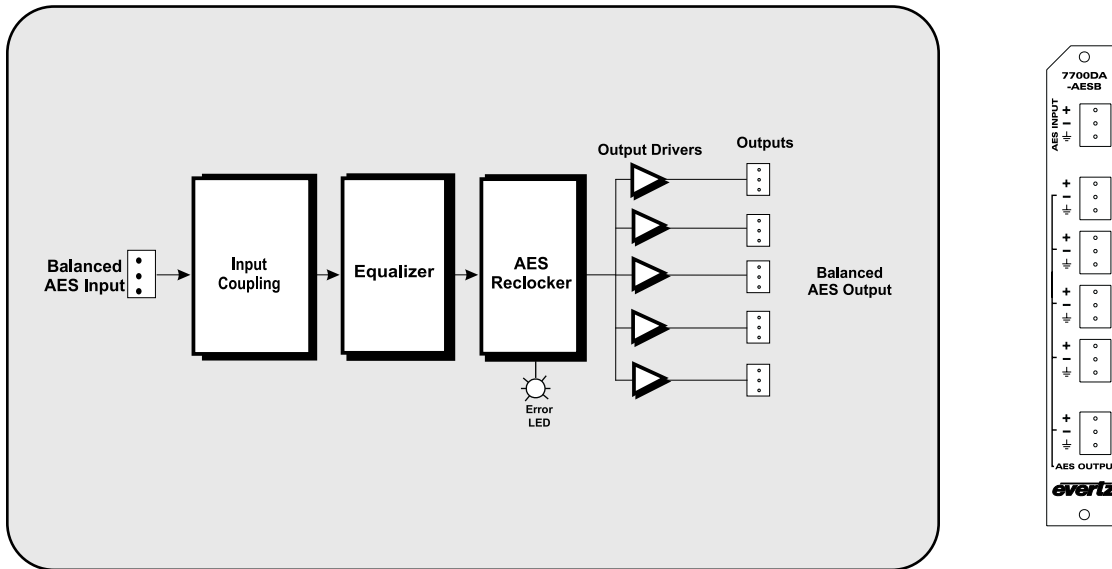
The 7700DA-AESB card edge LED indicators provide quick and accurate assessment of the incoming signal integrity. The 7700DA-AESB also provides a contact closure output that can be configured using on-board jumpers to assert when an input error condition exists.

## Features

- AES3-1992 standard for AES audio on 110 $\Omega$  twisted pair cable.
- EQ and reclock provide extended cable length compensation
- Transformer coupled 110 $\Omega$  balanced input (selectable Hi-Z)
- Five 110 $\Omega$  balanced outputs
- Data reclocking provides jitter reduction
- Error LED indication for input PLL out of lock, parity error or biphas coding error
- Automatic equalization
- External indication of input error condition using contact closure output

# Autoequalizing Balanced AES Distribution Amplifier

## 7700DA-AESB Block Diagram



## Specifications

### AES Input:

<b>Standards:</b>	AES3-1992
<b>Number of inputs:</b>	1
<b>Input Level:</b>	2 to 7V p-p
<b>Coupling:</b>	Transformer
<b>Input Impedance:</b>	110Ω (selectable Hi-Z)
<b>Return Loss:</b>	30dB
<b>Equalization:</b>	Automatic to 300m with Belden 1800B (or equivalent) @ 48KHz AES signal
<b>Sampling Frequency:</b>	32KHz, 44.1KHz, 48KHz and 96KHz

### AES Output:

<b>Number of Outputs:</b>	5 Per Card Reclocked
<b>Connector:</b>	3 Pin Terminal Strip
<b>Output Level:</b>	5 V p-p
<b>Output Impedance:</b>	110Ω
<b>Return Loss:</b>	30 dB

### Electrical:

<b>Voltage:</b>	+12VDC
<b>Power:</b>	1.8 Watts
<b>EMI/RFI:</b>	Complies with FCC Part 15 Class A Complies with EU EMC Directive

### Physical:

<b>Number of Slots:</b>	1
-------------------------	---

### Ordering Information:

<b>7700DA-AESB</b>	Autoequalizing Balanced AES/EBU Distribution Amplifier
<i>7700P (3RU rear connector plate) shipped standard with module</i>	

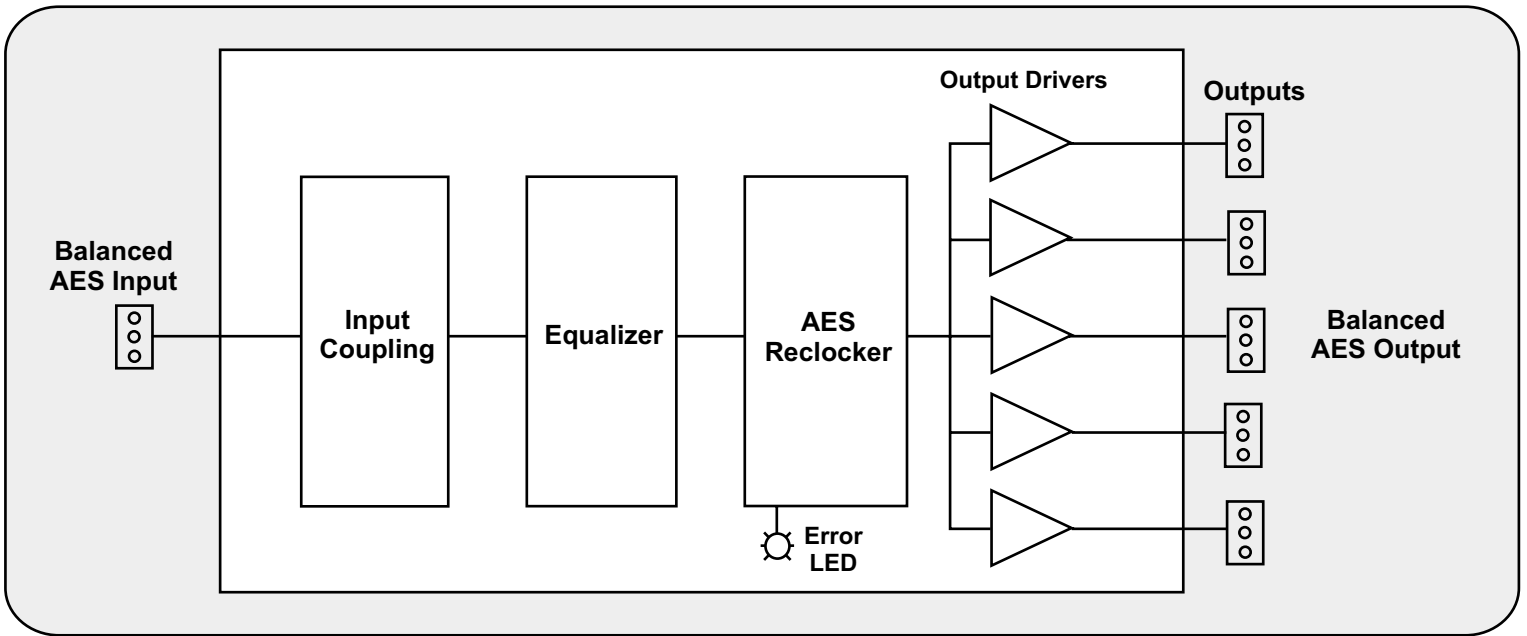
### Ordering Options:

<b>R7701P</b>	1RU rear connector plate for 7701FR frame
<b>S7701FR</b>	Standalone enclosure with rear connector plate

### Enclosures:

<b>7700FR-C</b>	3RU Multiframe
<b>7701FR</b>	1RU Multiframe
<b>S7701FR</b>	Standalone enclosure

## 7700DA-AESB Block Diagram



## 7700DA-AESB Rear Panel

