

Model 7700DA-AESU AES/EBU Distribution Amplifier

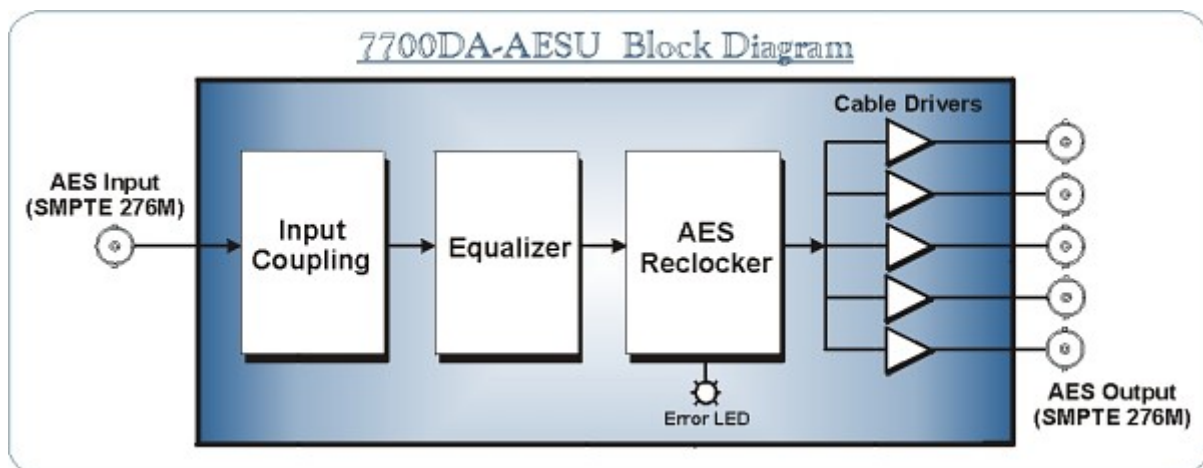
Product Description

The **7700DA-AESU** is a five output reclocking and auto equalizing DA for 75Ω AES signals. The DA will automatically equalize AES signals on Belden 1694A coax to 1500m. The DA will reclock data with sampling frequencies of 32KHz, 44.1KHz, 48KHz and 96KHz.

The **7700DA-AESU** card edge LED indicators provide quick and accurate assessment of the incoming signal integrity. The **7700DA-AESU** also provides a contact closure output that can be configured using on-board jumpers to assert when an input error condition exists.

Features:

- SMPTE 276M standard for AES audio on 75Ω coax
- Transformer coupled 75Ω unbalanced input (selectable Hi-Z)
- Data reclocking provides jitter reduction
- Automatic equalization
- EQ and reclock provide extended cable length compensation (>1500)
- Five 75Ω coax outputs
- Error LED indication for input PLL out of lock, parity error or biphas coding error
- External indication of input error condition using contact closure output



Specifications:

AES Input:

- **Standards:** SMPTE 276M (jumper selectable)
- **Connector:** BNC input per IEC 169-8
- **Input Level:** 1V p-p
- **Coupling:** Transformer

- **Input Impedance:** 75Ω (Selectable Hi-Z)
- **Return Loss:** >30 dB
- **Equalization:** Automatic 1500m @ 48KHz AES signal (Belden 1694A)
- **Sampling Freq.:** 32KHz, 44.1KHz, 48KHz, 96KHz

AES Output:

- **Number of Outputs:** 5 Per Card Reclocked.
- **Connector:** BNC input per IEC 169-8.
- **Output Level:** 1V p-p
- **Output Impedance:** 75Ω
- **Return Loss:** 30 dB

Electrical:

- **Voltage:** + 12VDC
- **Power:** 1.2 Watts
- **EMI/RFI:** Complies with FCC Part 15 Class A, EU EMC Directive

Ordering Information:

- **7700DA-AESU** Autoequalizing unbalanced AES/EBU Distribution amplifier
- **7700P** (3RU) rear connector plate) shipped standard

Ordering Options:

- **R7701P** 1RU rear connector plate for 7701FR frame
- **S7701FR** Standalone enclosure with rear connector plate

Enclosures:

- **7700FR-C** 3RU Multiframe
- **7701FR** 1RU Multiframe
- **S7701FR** Standalone enclosure